

ASSEMBLY AND INSTRUCTION MANUAL

MODEL 1001 CAMP

© 2009 KURT BEIER & KATI QUINGER



Seat depth adjustment



High quality seams



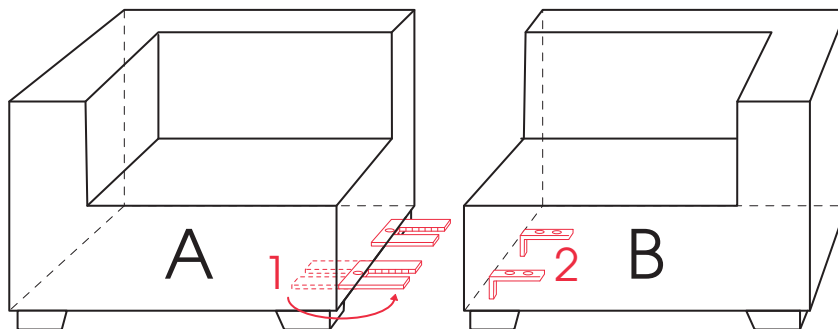
Comfortable back cushions



Seat depth adjustment via stainless steel switch at the armrest

Mounting of connectors

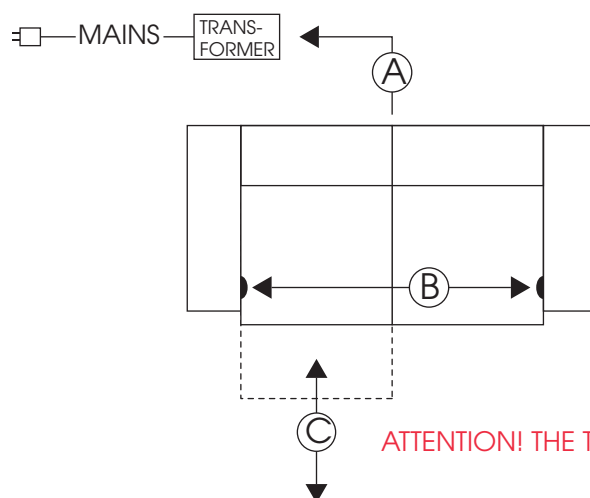
1. Position the elements at the place supposed to stay.



2. Turn connector ratchet 1 of element A to the outside.
3. Firmly push together part A and B, until metal guides 2 catch into guides 1.
4. In case of dismounting lift part B with the metal guides 2 and pull away.

Motorised seat depth adjustment

1. Connect the cable A that comes from the sofa to the supplied transformer and plug this into the mains.
2. By operating the switch B (set into the arm) the seat C can be extended and retracted as wished.



ATTENTION! THE TRANSFORMER MUST BE PLACED OUTSIDE THE SOFA!

Technical data – for elements with motor-driven seat adjustment

Electrical connection

To be connected to common household alternating current (AC) with an input voltage of up to 240 V. To ensure a non-hazardous operation, the alternating current from the socket is converted in „low-voltage current“ (direct current, DC) by means of an integrated rectifier and an output voltage of 24 V is output. The main adapter respectively the charging unit also features a protective circuit which prevents malfunctions due to surge voltages and damages to the unit.

Note: The warranty claim will be invalidated if the device is connected incorrectly. Please also pay attention to a proper routing of the mains cable. The drive system is designed for alternating voltage.



Safety notes

The construction of the piece of furniture as well as the used materials ensure that it may be used without causing risks to the user when used as intended and in compliance with the present operating instructions.

All service, maintenance and repair operations shall only be carried out and documented by authorized persons. If it is necessary to disassemble individual safety devices during e.g. service or repair operations, then it is required to perform the re-establishment and examination of the effectiveness of all safety devices immediately upon completion of the operations.

Technical data – for all elements with seat adjustment

Motors

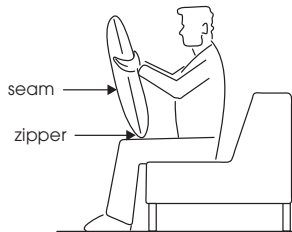
www.lusch.de

Device type	ON 20-01
Mains connection (VAC)	100 - 240 V AC
Motor voltage	24 V DC
Protection type	IP 20
Continuous operation / pause cycles	2 min. / 18 min.

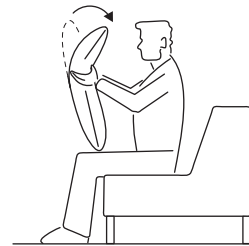
Caution: It is prohibited to put safety devices and/or guards out of operation respectively to remove them! The motor cover must not be removed! The piece of furniture is not suitable for operation in wet rooms!



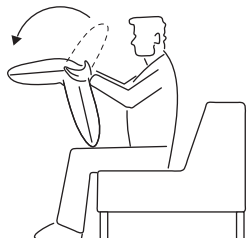
FUNKI - how it works:



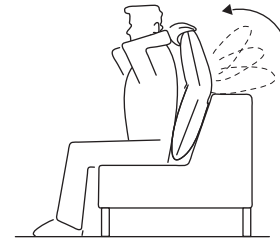
1. Take the cushion at its upper side and put the cushion on your knees with the zipper on the bottom. The seamless side faces you.



2. Move the upper part of the cushion towards yourself until the final position is reached.



3. Now you are able to move the upper part backwards until the upper part of the cushion will click into place in the zero position.



4. Now put the cushion in the preferred position (e.g. in the back, seamless side at the front and zipper at the bottom). You are able to choose different locking positions depending on your preference and position by slowly pulling the upper part of the cushion towards yourself.