

# ASSEMBLY AND INSTRUCTION MANUAL

## MODEL 2117 TABLO

© 2018 KURT BEIER & KATI QUINGER



Turn function (360°) and individual adjustment of back



Manual turntable (360°)



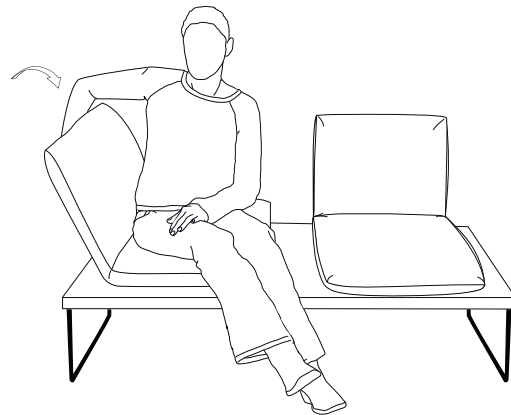
Optionally wooden plateau or covered plateau

## Use of back function

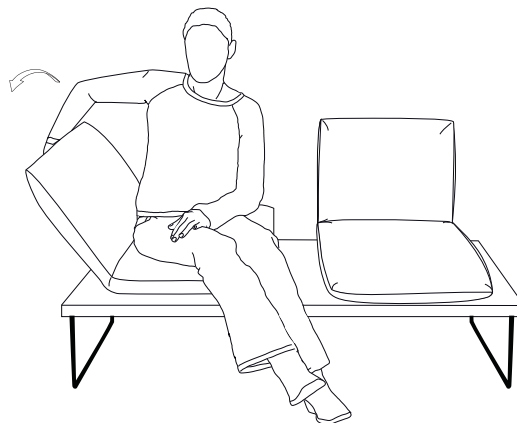
---

### 1. Adjustment of back slant:

To adjust the desired position grip the back from the outside and pull it carefully towards yourself.



2. To obtain zero position pull the back carefully beyond the top position towards yourself and fold down into zero position.



3. From zero position you can easily snap the back into desired position.

**ATTENTION!**  
**DO NOT SIT DOWN ON THE BACK!**

## Assembly manual (Pictured example: type TR150L/TR150H)

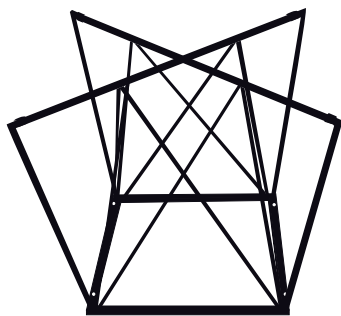
---

### Information

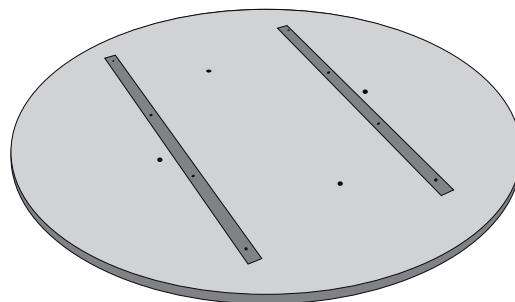
**ATTENTION!** To ensure secure assembly, please observe the individual steps of instruction!

The furniture should always be mounted in pairs (2 persons)!

Place the enclosed components in front of you!



1 x Tabletop  
(pictured in mounting direction)



1 x lower frame  
(pictured in mounting direction)

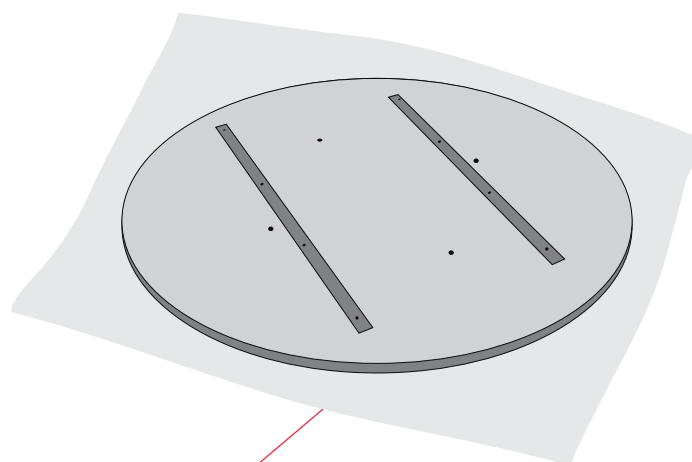


4 x bolt A

### Assembly:

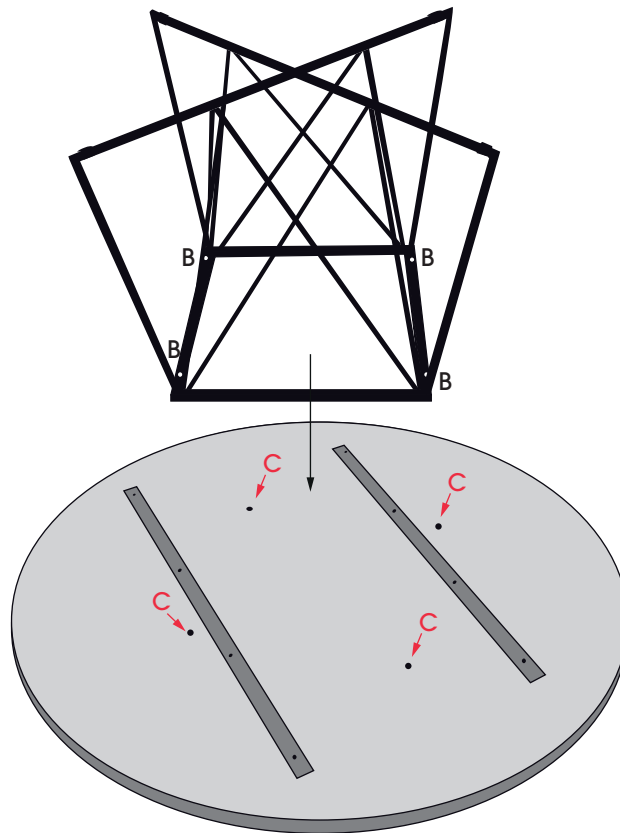
---

1. For assembly of tabletop, place the tabletop on its upperside!  
Attention! To avoid damages, use a clean base for tabletop!

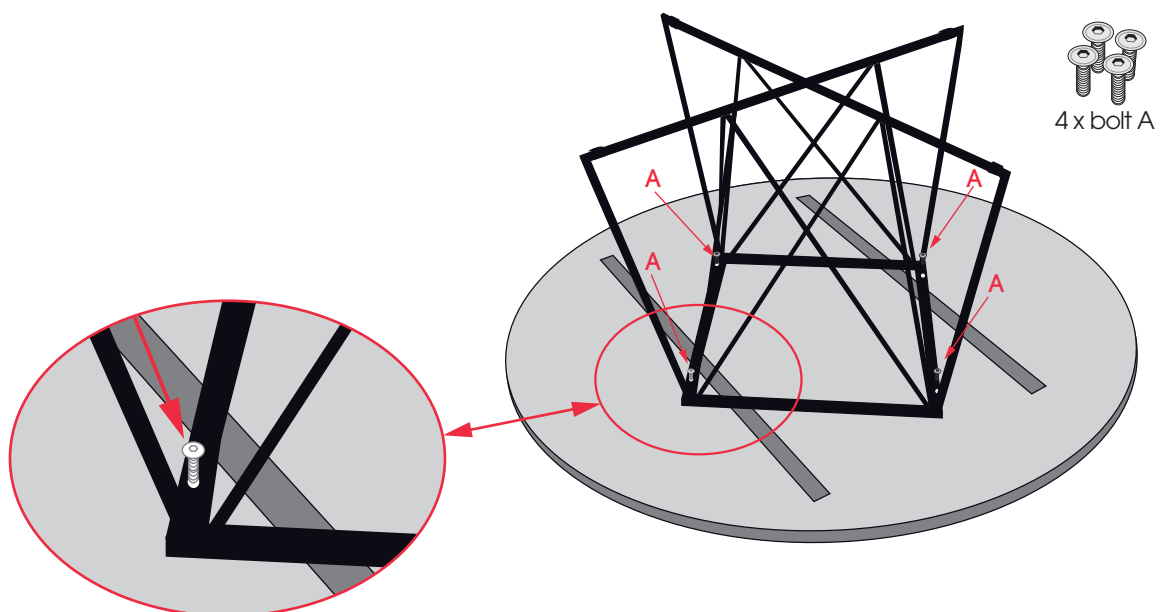


Sample base (not scope of delivery)

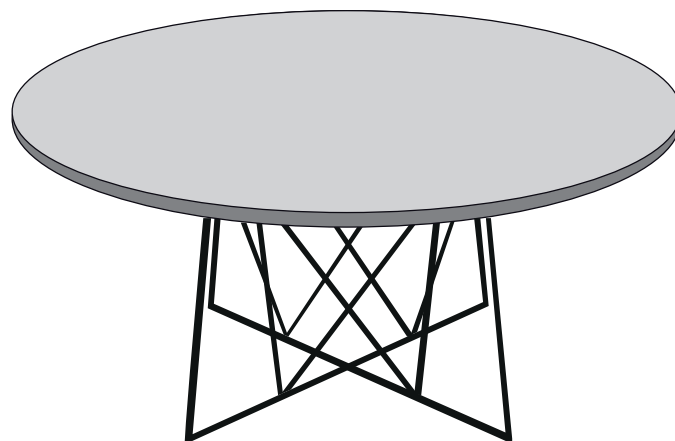
2. Position the bores (B) of the base frame onto the 4 bores (C) of tabletop.



3. Screw the lower base with the 4 bolts (A) and the supplied allen key at the tabletop.



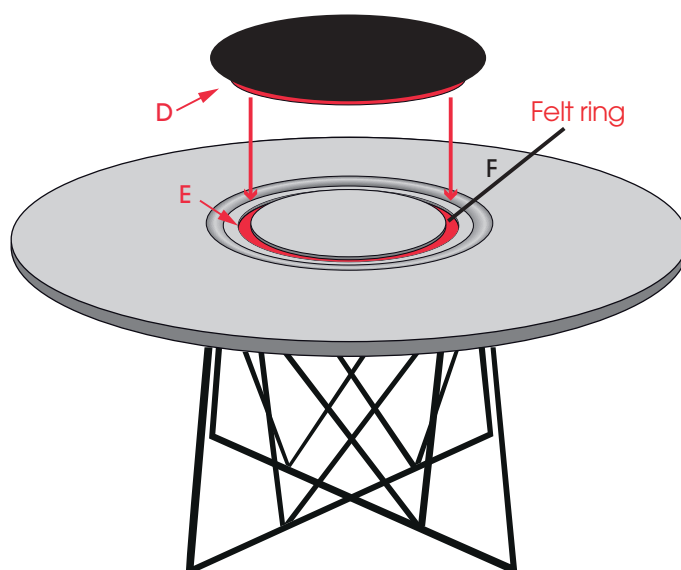
4. Turn back the table and place it on ist lower frame!



Completely mounted table! (without turntable)

### Insertable turntable:

For tables with insertable turntable place the turntable with the rotating ring (D) in depression (E) on the felt ring (F) of tabletop after the table has been assembled.



Completely mounted table (with insertable turntable)!



## Instruction manual

---

Function of tables with turntable (inserted turntable/additional turntable:

360°- turn function of metal plate.



## Assembly manual (Type TR180L/TR180H/TR180RL/TR180RH)

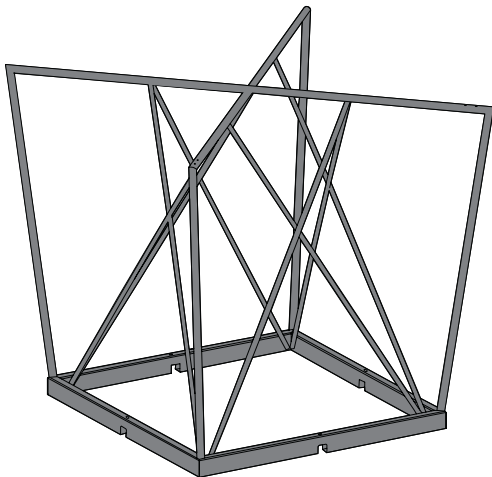
(Assembly example: TR180RL/TR180RH)

### Information

**ATTENTION!** To ensure secure assembly, please observe the individual steps of instruction!

The furniture should always be mounted in pairs (2 persons)!

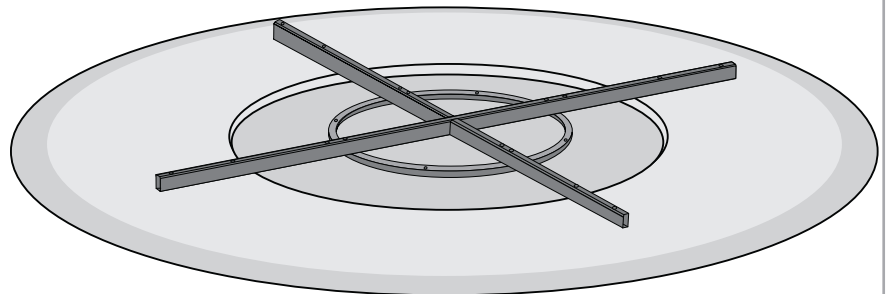
Place the enclosed components in front of you!



1 x lower frame  
(pictured in assembly direction)



4 x bolt a

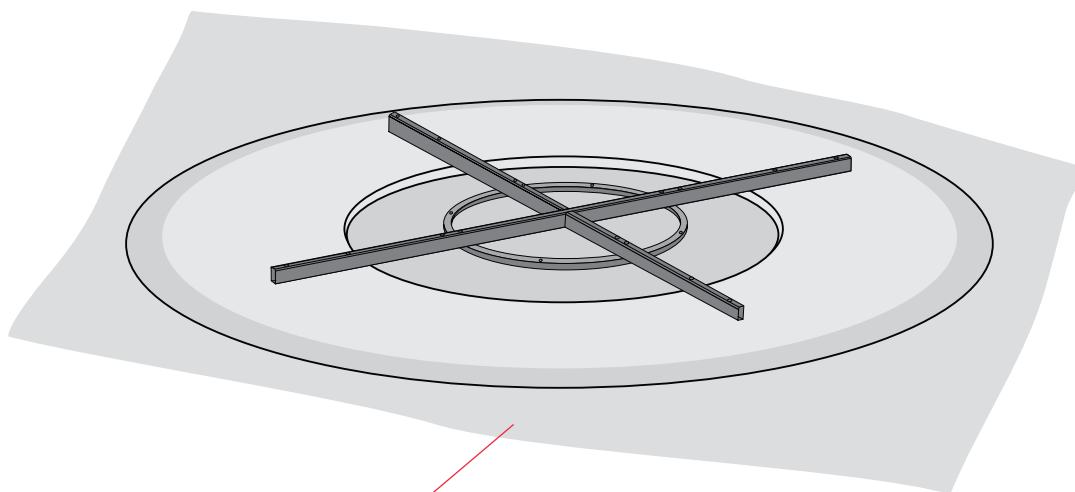


1 x Tabletop  
(pictured in assembly direction)

### Assembly:

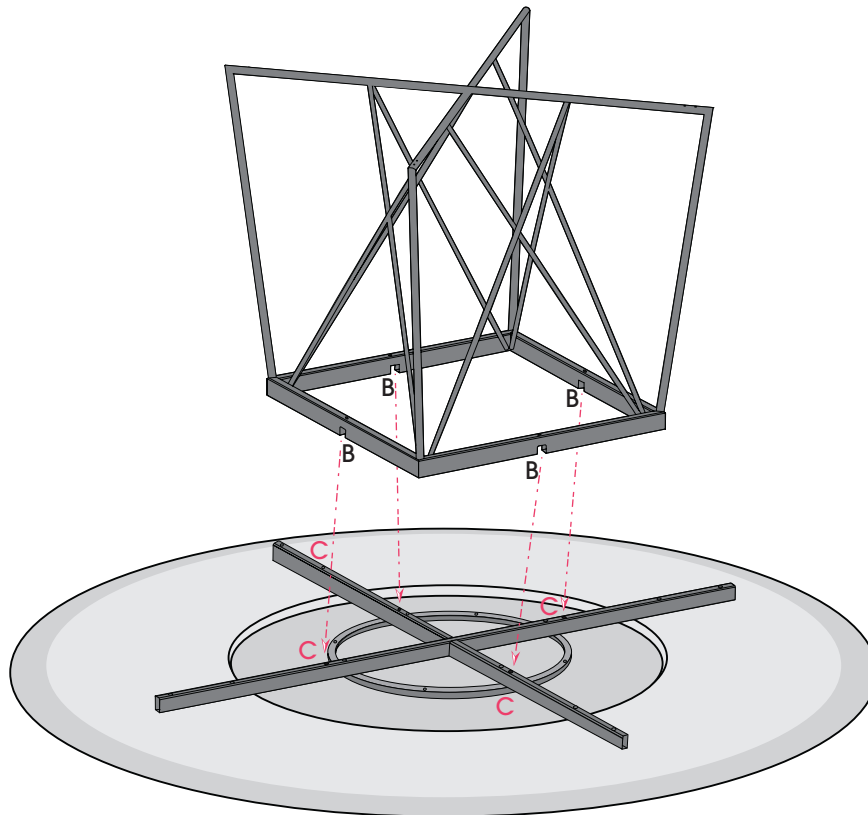
1. For assembly, place the tabletop on its upperside!

Attention! To avoid damages, use a clean base for tabletop!

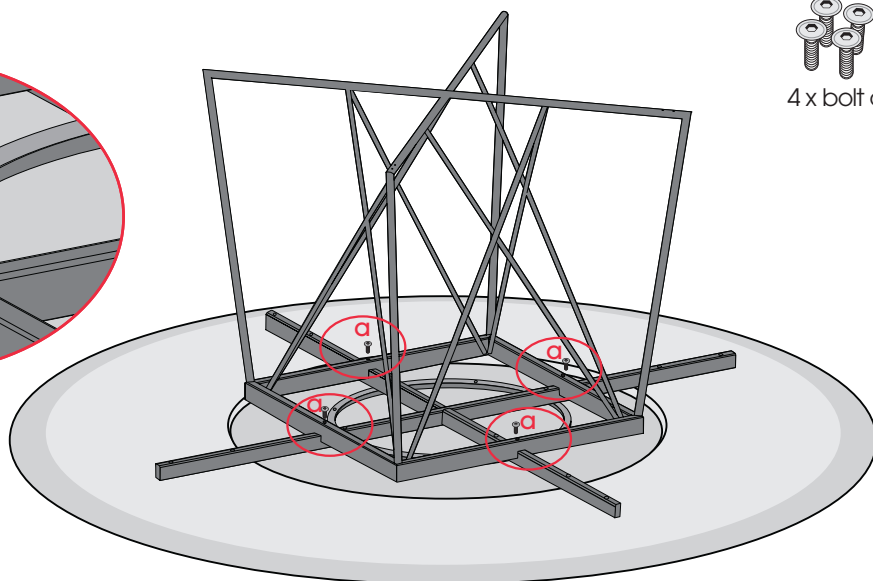
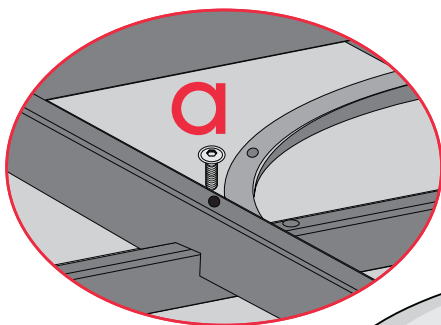


Sample base (not scope of delivery)

2. Position the bores (B) of the base frame onto the 4 bores (C) of tabletop.



3. Screw the lower base with the 4 bolts (a) and the supplied allen key at the tabletop.

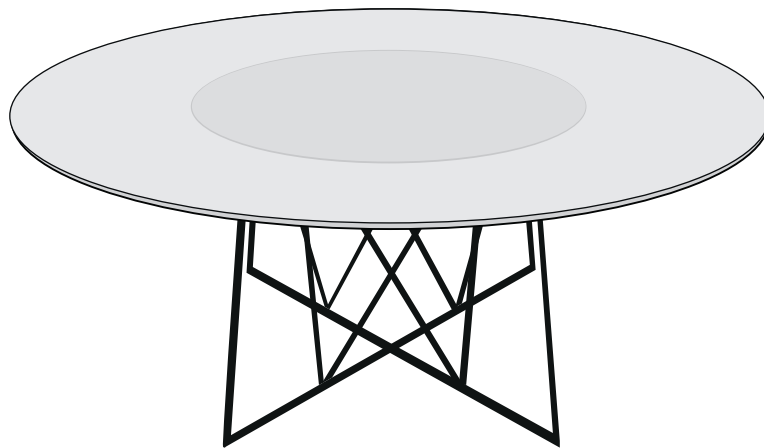


4 x bolt a



4. Turn back the table and place it on ist lower frame!

4. Turn back the table and place it on ist lower frame!



Completely mounted table! (with turntable)