

ASSEMBLY AND INSTRUCTION MANUAL

MODEL 8200 SOLID.

© 2019 KURT BEIER & KATI QUINGER



Covered cabinet doors
With filigree wooden frame



High-quality Genuine wood,
old oak

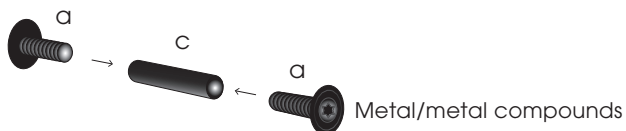
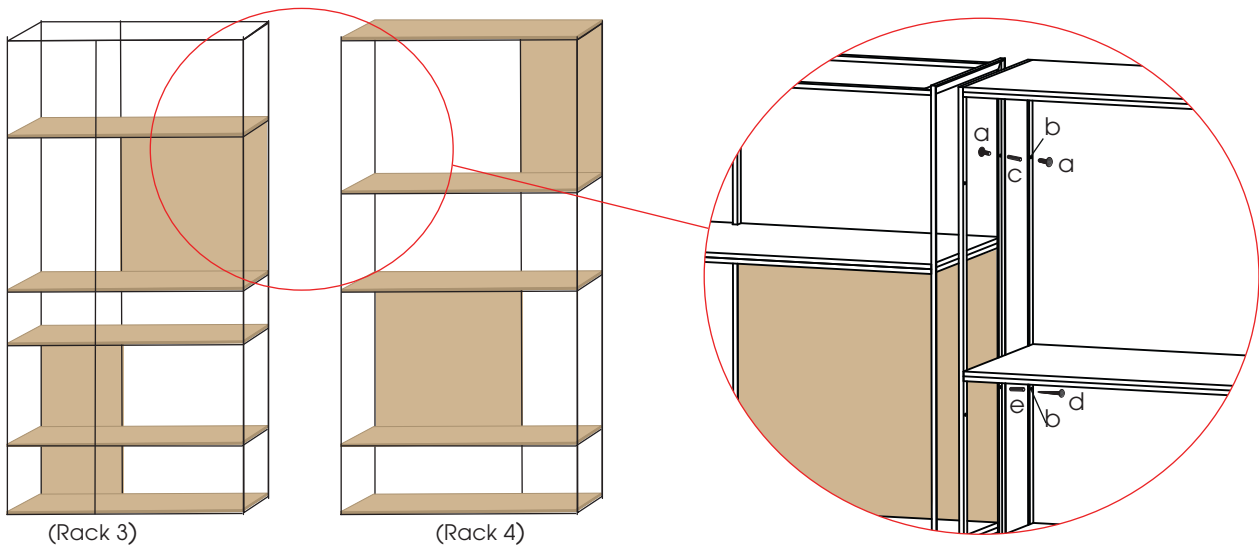


Filigree metal frame

Shelf assembly

(Using the example: rack 3 und 4)

Place the supplied small parts in front of you.



Screwing of metal/metal connections:

1. Insert a screw (a) through the hole (b) from the metal strut (here the example of rack 4) and screw it into the threaded sleeve (c).
2. Push the two shelves flush with each other and screw the shelves together with the 2nd screw by inserting it through the hole and with the already screwed threaded sleeve (c) from the other side (here rack 3).

Screwing of metal/wood connections:

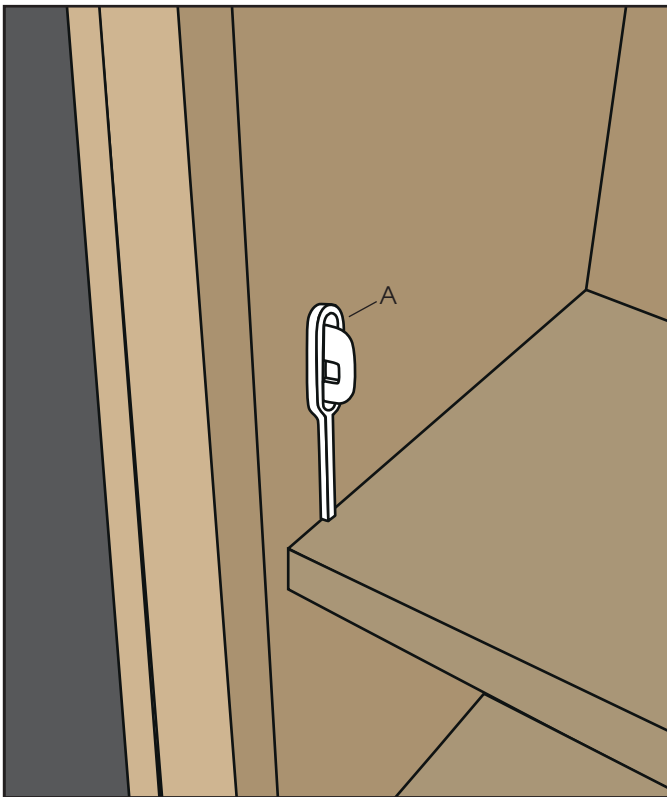
1. Insert a back wall screw (d) through the hole (b) from the metal strut (here the example of rack 4) and a through sleeve (e). Push the racks together flush and screw the back wall screw (d) into the wood.

Adjustable feet

After setting up the furniture, the 4 enclosed felt glides should be glued to the adjustable feet as floor protection. By turning the 4 feet, the furniture can then be aligned horizontally.



Transport protection for shelves at **High Board HB1** and **Sideboard SB1**:



1. Set up the furniture and align it using the adjustable feet (see page 6, adjustable feet).

2. Pull the transport protection (A) out of the side panel.

