

ASSEMBLY AND INSTRUCTION MANUAL

MODEL OD0821 ROCKfrog

© 2021 KURT BEIER & KATI QUINGER



www.bullfrog-design.com



Swing sofa, 2-seat, back- & footrest motorised adjustable until relax position



Single-Rope swinger, optionally with or without armrests



Single-Rocking chair, optionally with or without armrests



Rocking sofa, 2-seat optionally with or without armrests

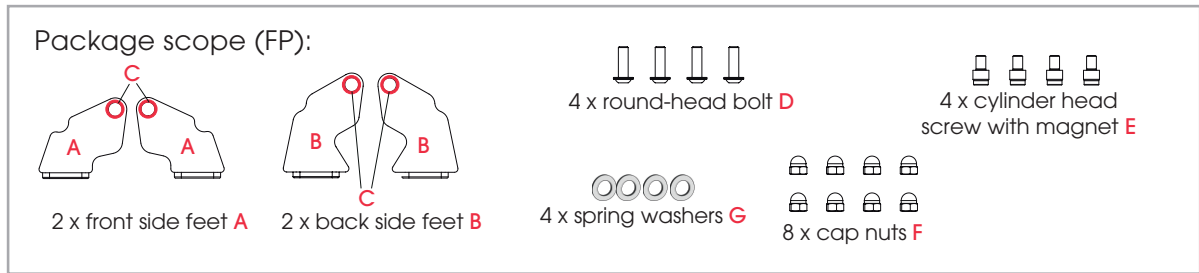


Headrest individually & manually adjustable

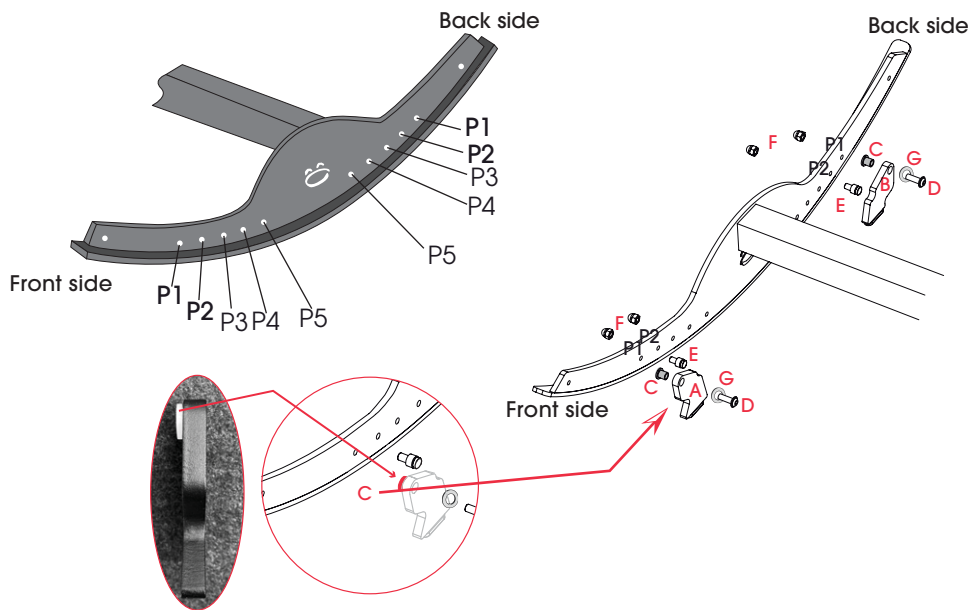


Back- & Footrest motorised adjustable until relax position

Assembly of the rocking skid lock:



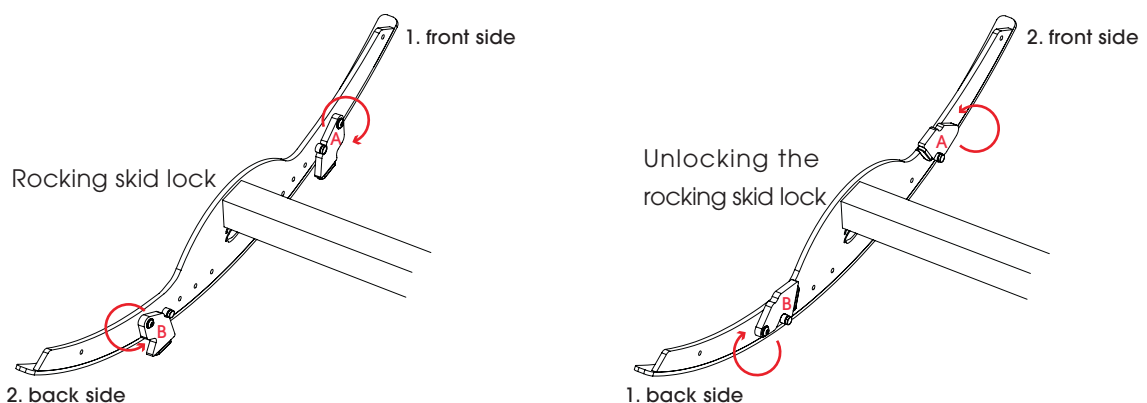
Note: The assembly of the feet is only possible if no rocking bolts are screwed into the skid.



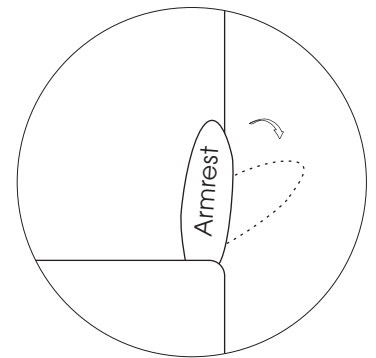
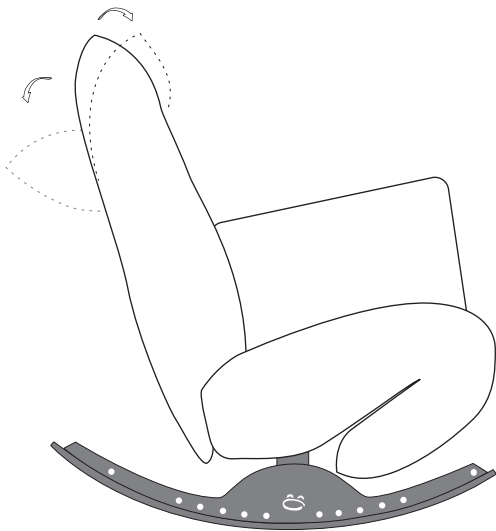
1. Screw in hand-tight one foot (A/B) each into the runners from the inside (at the 4 positions P1) using a round-headed bolt (D) and a spring washer (G) (note "front" and "rear" here).
2. Secure the bolts (D) with one cap nut (F) each and tighten them.
3. Screw the 4 cylinder head screws (E) into the runners from the inside at the 4 positions (P2).
4. Secure the screws (E) with one cap nut (F) each.

Use of the rocking skid lock:

1. To lock the rocking skid lock, first lift the front of the rocking runner slightly and turn the foot (A) right and left towards the ground to the magnetic cylinder head screw (E).
2. Repeat the procedure at the back side of the runners with the 2 adjustable feet (B).
3. To return the ROCKfrog to rocking position, start at the back (in reverse order) and turn the rocking locks back onto the magnetic cylinder head screws.



Adjustment of head-rest and armrest:

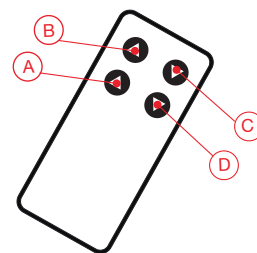
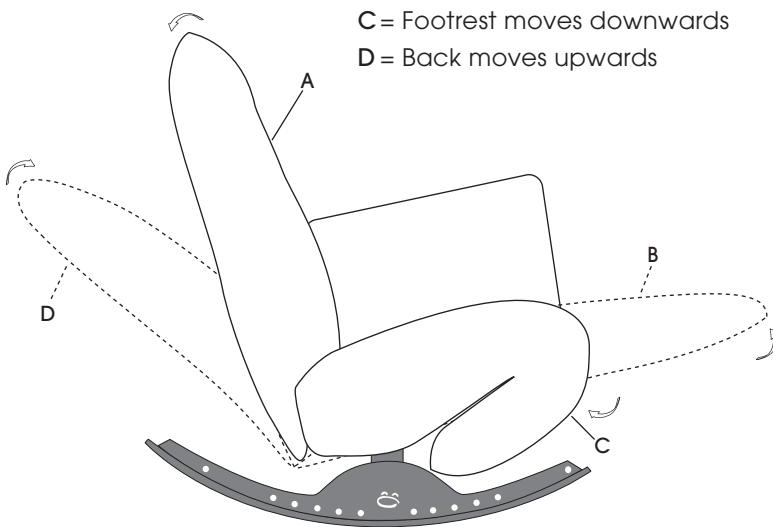


1. To adjust the desired position grip the head-rest/armrest from the outside and pull it carefully towards yourself.
2. To obtain zero position pull the head-rest/armrest carefully beyond the top position towards yourself and fold it down into zero position.
3. From zero position you can easily snap the head-rest/armrest into desired position.

Motorised back and footrest adjustment:

Sitting and reclining function: The individual sitting or reclining functions are operated via the remote control.

- A = Back moves backwards
- B = Footrest moves upwards
- C = Footrest moves downwards
- D = Back moves upwards

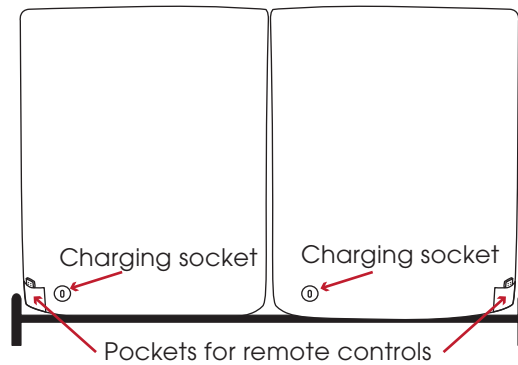
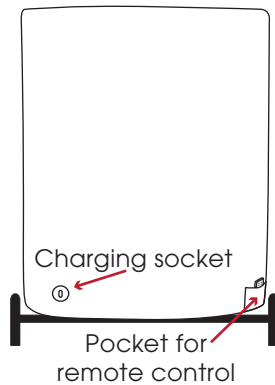


**Wireless remote control:
Warning of magnetic field.**

Remote control:

The remote control is located at the left side on the backside of a single unit (with view from the front). With a double element it is located on the right and left side on the backside.

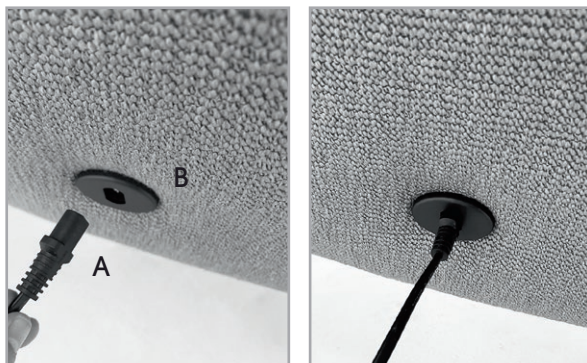
The charging socket is always located at the right side on the backside (with view from the front).



Use of the charging socket:

With power supply unit:

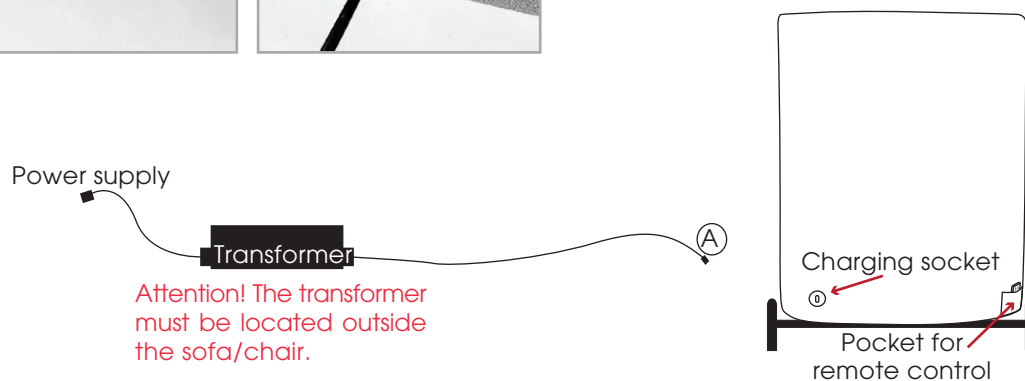
Insert plug A into the charging socket B at the back of the sofa/chair and then the transformer into the socket.



With battery:

1. Fully charge the battery once before using it for the first time. The charging time is approx. 8 hours.
2. Insert plug A into the charging socket at the back of the sofa/chair and then the transformer into the socket.
3. If the battery hums, the battery capacity is too low. Please charge it immediately.

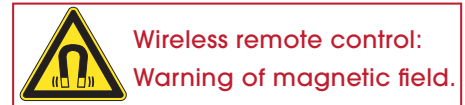
Attention! The battery must be recharged after 3 months at the latest, otherwise a deep discharge could occur which would damage the battery.



Motorised seat adjustment - Programming of transmitter and receiver

Delivery condition: already synchronised

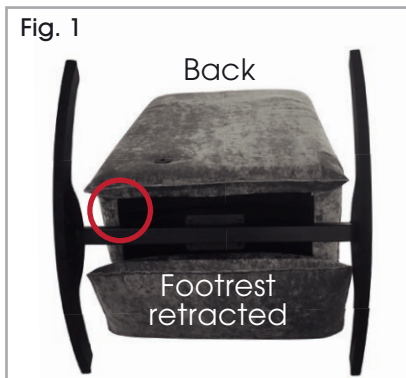
November 2021



Brief instruction, Pairing-Method:

Should a new start-up of remote control be necessary the wireless communication with the control/motor must be established. Proceed as follows:

Attention: The furniture should always be lifted/tilt over by two people!



With retracted footrest (Fig. 1): Tilt the element forwards over the runners. Use a suitable support to avoid damaging the cover or the floor.

With extended footrest (Fig. 2): Tilt the furniture backwards over the runners so that a second person can carry out the following steps. Use a suitable support to avoid damaging the upholstery or the floor.

Open the zip underneath the element. The receiver is located inside of the element.

Programming of transmitter and receiver:



1. Press pairing buttons A at receiver 2 x until the LED indicates. The pairing process is active for about 10 seconds.

2. Press simultaneous button B and C at the transmitter until the green LED at the receiver vanishes. This confirms a successful pairing process.

Note: For the pairing process the distance between transmitter and receiver should be less than 2 metres.

The programming is completed, the transmitter is now ready for operation. If the motor doesn't start while pressing, release the button and press again. If necessary retry the process.



Put drive systems into operation successively, **don't** operate several systems simultaneous. Otherwise the remote control cannot be assigned clearly by control/motor.

Technical data – for elements with motor-driven seat adjustment

Electrical connection

To be connected to common household alternating current (AC) with an input voltage of up to 240 V. To ensure a non-hazardous operation, the alternating current from the socket is converted in „low-voltage current“ (direct current, DC) by means of an integrated rectifier and an output voltage of 24 V is output. The main adapter respectively the charging unit also features a protective circuit which prevents malfunctions due to surge voltages and damages to the unit.

Note: The warranty claim will be invalidated if the device is connected incorrectly. Please also pay attention to a proper routing of the mains cable. The drive system is designed for alternating voltage.



Safety notes

The construction of the piece of furniture as well as the used materials ensure that it may be used without causing risks to the user when used as intended and in compliance with the present operating instructions.

All service, maintenance and repair operations shall only be carried out and documented by authorized persons. If it is necessary to disassemble individual safety devices during e.g. service or repair operations, then it is required to perform the re-establishment and examination of the effectiveness of all safety devices immediately upon completion of the operations.

Technical data – for all elements with seat adjustment

Motors

www.limoss.de

Device type	MD 125
Mains connection (VAC)	100 - 240 V AC
Motor voltage	18 - 35 V DC
Protection type	IP X4
Continuous operation / pause cycles	2 min. / 18 min.

Caution: It is prohibited to put safety devices and/or guards out of operation respectively to remove them! The motor cover must not be removed!



Accumulator

www.limoss.de

Device type	MC 166
Protection type	IP X6
Accumulator capacity	approx. 50 Cycles / ø 21 days
Charging of the accumulator	by means of separate charging adapter
Life cycle	80% capacity after 300 charging cycles (depending on use and environment)

Do not dispose of the accumulator in the domestic waste!



Technical data – for all elements with seat adjustment

Notes: Before first operation, please charge the accumulator completely (8 hours). The charging and adjusting is possible at the same time. Recharge the accumulator after 3 months at the latest because otherwise the capacity will suffer. As soon as the critical accumulator capacity is reached, an acoustic alarm signal will sound when the function is activated. Immediately charge the accumulator.



The optimal performance of the accumulator is only ensured at normal room temperature (20° to 30° C).

Accumulators, batteries, electric motors, manual switches etc. belong to the wear and tear parts of a model. They are subject to a continuous loss of performance that differs depending on the intensity of the use (or application respectively purpose). Their lifetime is therefore limited by their very nature. This is part of the normal wear and tear of the parts and does not constitute any valid cause for complaint. If, however, a complaint occurs within the first six months after purchase, it is assumed that a material defect existed already at the beginning. In such cases, we will replace the respective wear and/or tear part.

For wear and tear parts, we herewith provide all pieces of information, among other things regarding charging, connection, operation or storage in order to ensure a proper use. Please understand that failure to follow the instructions and incorrect handling will make claims under warranty null and void for those parts.

Charging adapter / power supply

www.limoss.de

Device type	MC 125
Protection class	IP 26
Input	100 - 240 V AC 50/60 Hz 1.6-0.7 A
Output	29 V DC 2.0 A



Note: Our charging adapters / power supply units have **protection class IP26**. According to certification, this protection class offers protection against water jets. However, we recommend storing the charging adapters / power supply units indoors when not in use. There is no protection against temporary / permanent immersion in water or other liquids.



Bullfrog
Marketing & Design GmbH

Landwehrstr. 32
96247 Michelau
Germany

declares for the following programme:

OD0821 ROCKfrog, types with motor-driven adjustment

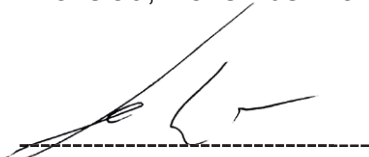
the compliance and the equivalent with the EC guidelines:

EC machinery directive	2006/42/EG
EC low-voltage directive	2006/95/EG
other used standards	EN 60335-1 EN 55014-1 EN 55014-2 Kat II EN 61000-3-2/-3-3

Authorized representative of documents: Jan Beier
Landwehrstr. 32
96247 Michelau
Germany

It is certified herewith, that the above-mentioned products correspond to the mentioned EC guidelines

Michelau, November 2021



Jan Beier, director of Bullfrog Marketing & Design GmbH

General installation information for ceiling rocking joints:

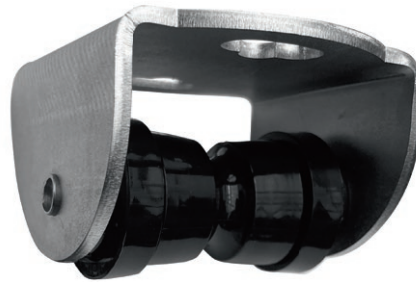
Attention! The standard version requires a ceiling height of 230-250 cm. Special lengths may be requested (for an extra charge). Please note that the clearance (floor to ceiling) is specified exact to the centimeter (inch-perfect).

For made-to-measure products, the basic position is set in the middle of the adjustment options. Thus, you have the possibility of adjusting the height upwards or downwards by 2 steps each. For a detailed description, see "Assembly for made-to-measure products".

Packaging unit (concrete/ aerated concrete or wood):



2 x carbiners (A)

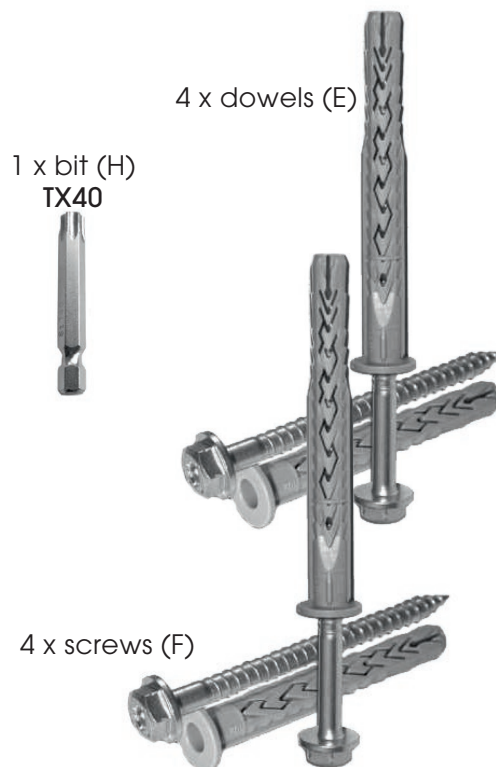


2 x rocking joints (B)



4 x ropes (C)

Concrete / aerated concrete

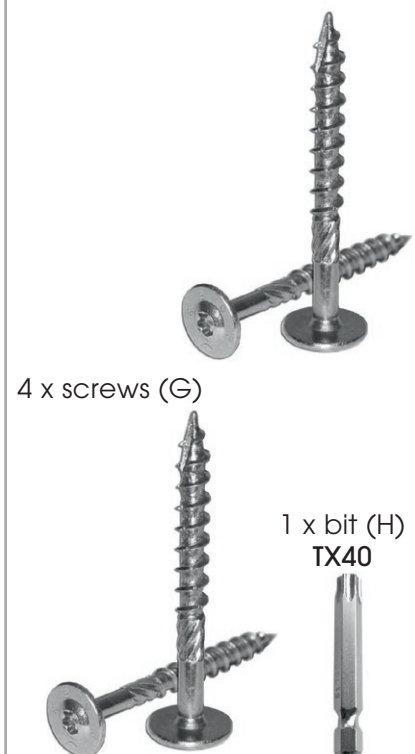


4 x dowels (E)

1 x bit (H)
TX40

4 x screws (F)

Wood beam installation



4 x screws (G)

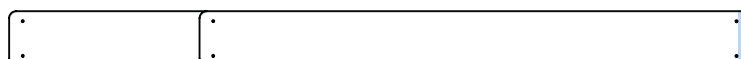
1 x bit (H)
TX40

8 x bolts (U1) and 8 x domed cap nuts (U2)



U1 U2

1 x mounting/installation template, ceiling installation (fig. folded) for the rocking joint:

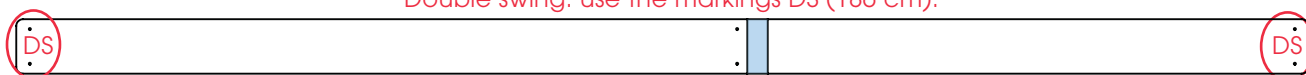


Info:

ATTENTION! In order to ensure a safe installation, please follow the individual steps in the instruction manual!
The piece of furniture should be assembled/installed by two persons of a specialist company/specialist staff!

Template for fastening points on the ceiling:

Double swing: use the markings DS (186 cm).



Single swing: use the markings S (104 cm).



Preparations, ceiling mounting:



Attention! The ceiling mount has to carry the weight of the swing as well as the weight of the occupant. Make absolutely sure that the ceiling respectively the beam is solid and that it is possible to safely install the ceiling mount. Every ceiling type is different. Have this imperatively checked by a specialist. No liability for personal injury or damage to property shall be assumed in case of any improper installation.

Please note that a safety distance of 120 cm has to be observed all around the rope swing. No objects which may constitute obstacles should be placed around the swing. The safety distance to the front and back depends on the respective rocking behavior. However, up to a ceiling height of 250 cm, we recommend to observe a minimum distance of 120 cm to the front and back. With increasing ceiling height, the safety distance to the front and back will also increase.

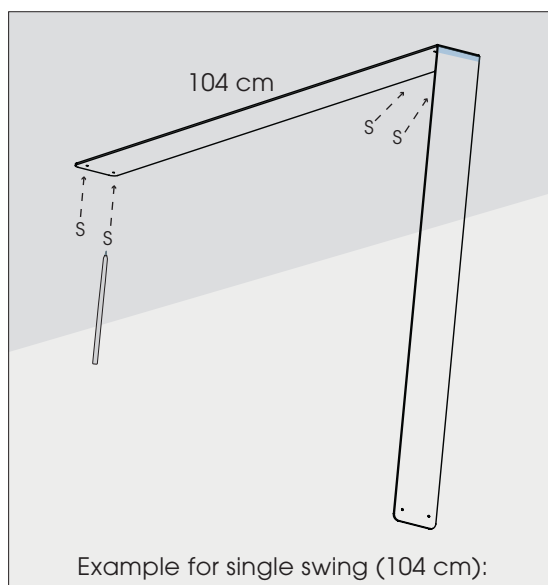
In order to enable correct rocking, it is required to apply the rocking joints parallel to each other.

Internal spacing (center rocking joint to center rocking joint) single swing: 104 cm

Internal spacing (center rocking joint to center rocking joint) double swing: 186 cm



The rocking joints have to be aligned parallel to each other.



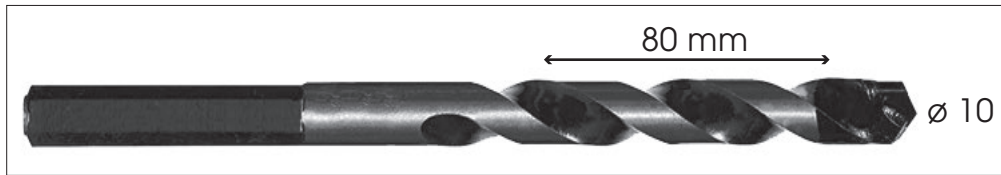
Example for single swing (104 cm):

Mark the drilling and/or screwing points on the ceiling by means of the provided template.

Use the markings S (104 cm) for the single swing.

Use the markings DS (186 cm) for the double swing.

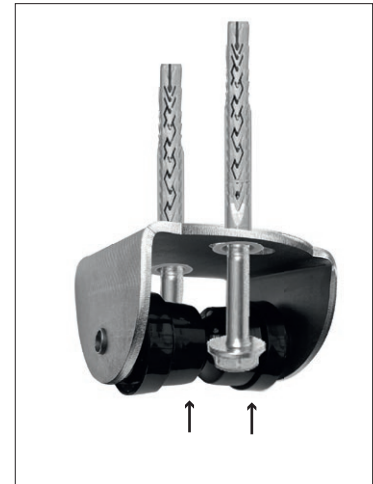
Ceiling mounting, rocking joint for concrete/aerated concrete:



1. Drill an 80 mm deep bore hole into the ceiling at the points marked before using a 10 concrete drill.

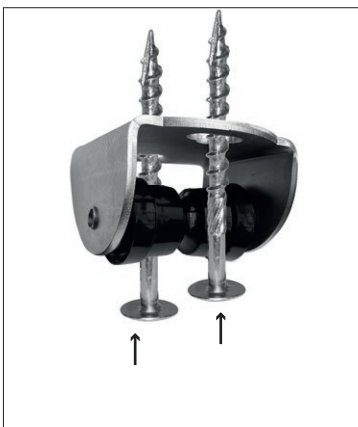


2. Insert 2 dowels each through the fastening bores of the rocking joint flush into the ceiling borehole.



3. Screw them tight with the enclosed screws.

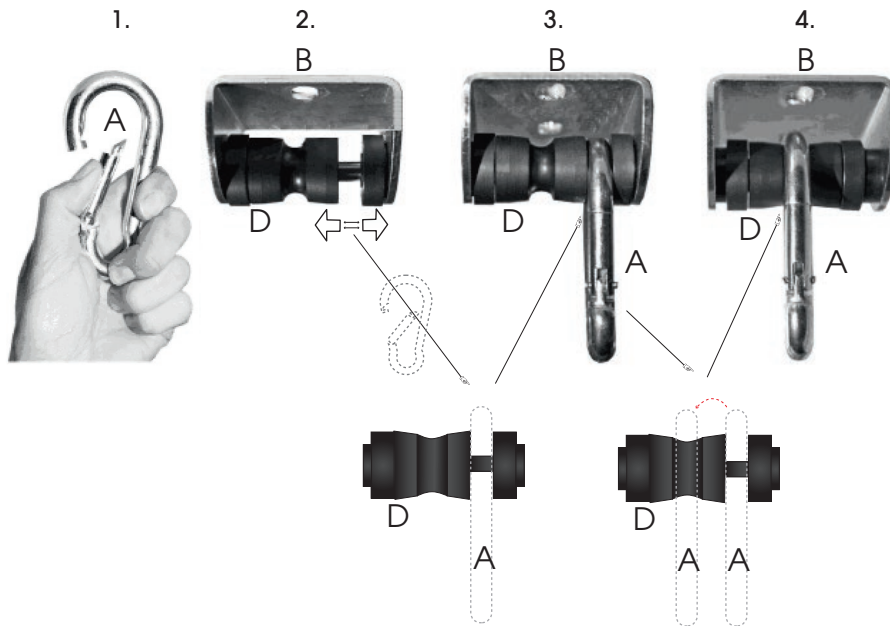
Installation on a wooden beam:



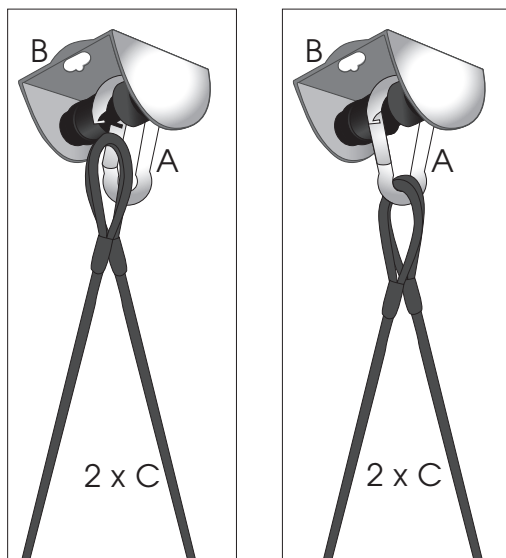
1. Insert 2 dowels each through the fastening bores of the rocking joint and tighten the rocking joint on the ceiling markings.

Carbines & ropes:

1. Push the roller segment (D) right or left apart and hook in the carbines (A).
2. Lift the carbines (A) into the middle of the roller segment (D).
3. Repeat step 1 and 2 on the second rocking joint.



4. Per side, hook 2 ropes in the carabiner (A).



After that, the ropes are fastened to the runners. Please also see "Rope installation".

Rope installation, runners:

Attention. The threads are provided with a rust protection. For this reason, screwing in the bolts is somewhat stiff when first used.

Attention! All 4 ropes have to be fastened in the same position at the front and the back.

Example below: 4 x at the outermost position (L) and 4 x at position (P1).

If you should e.g. have a ceiling height of 230, please use position (L) 4 times and position (P5) 4 times, etc.

The loop must always be fastened at position (P1, P2, P3, P4 or P5); at position (L), the rope is wrapped around a bolt (U1).

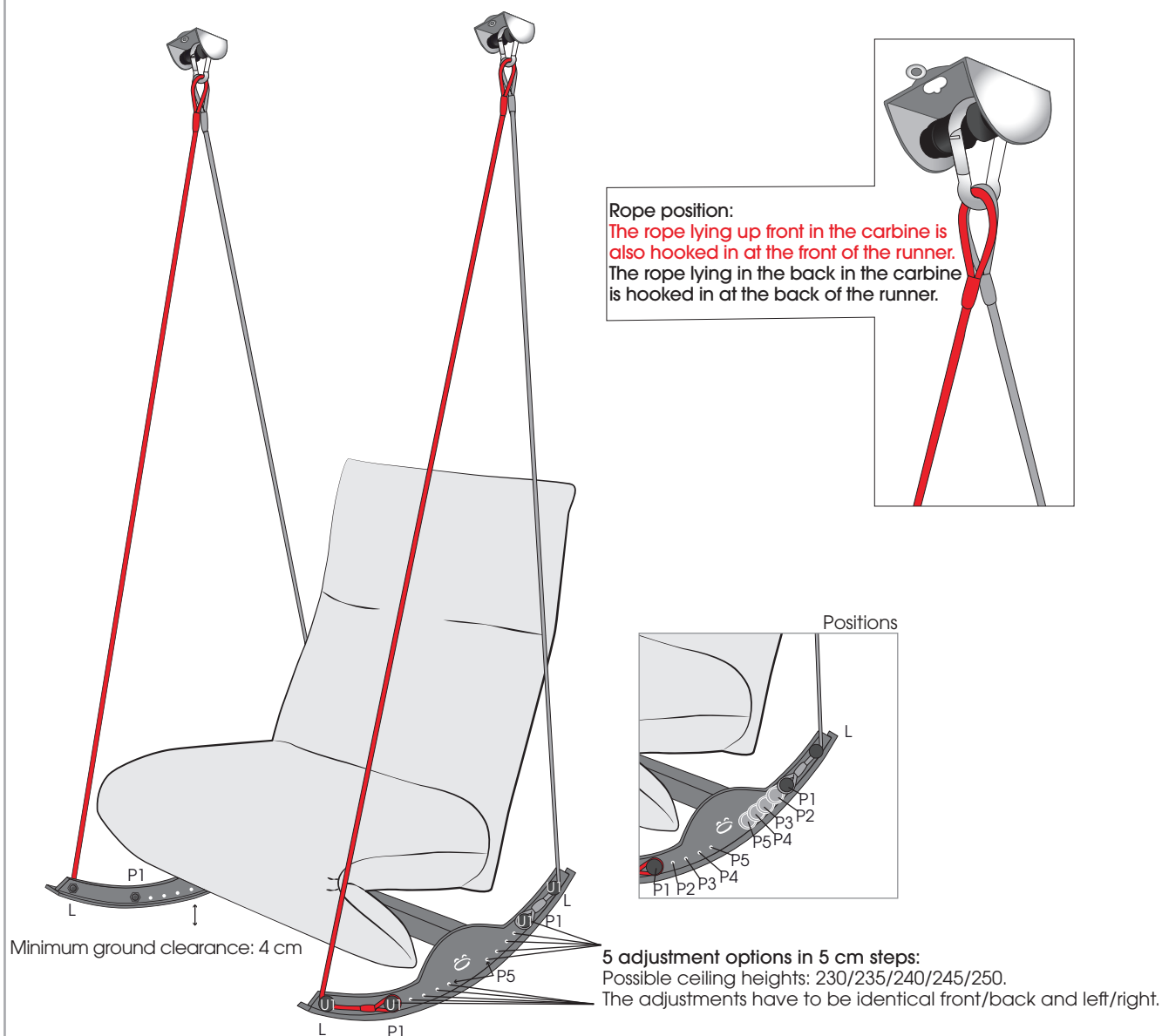
Standard ceiling height: 230-250 cm

Rocking frame CASA:

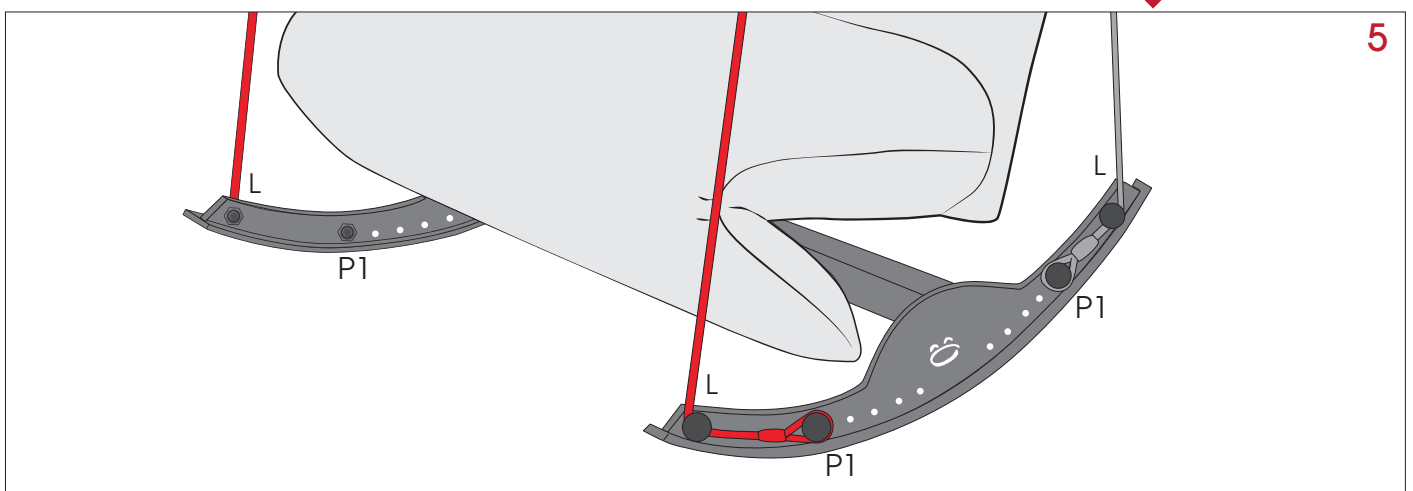
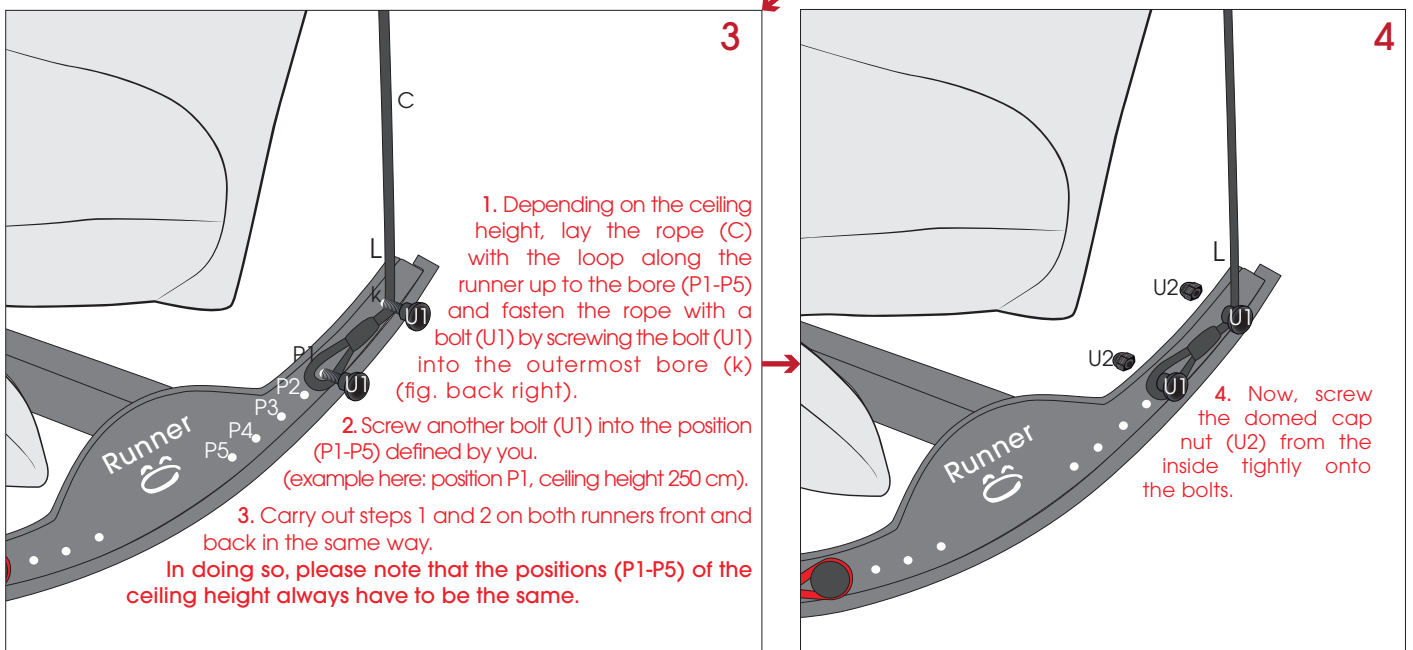
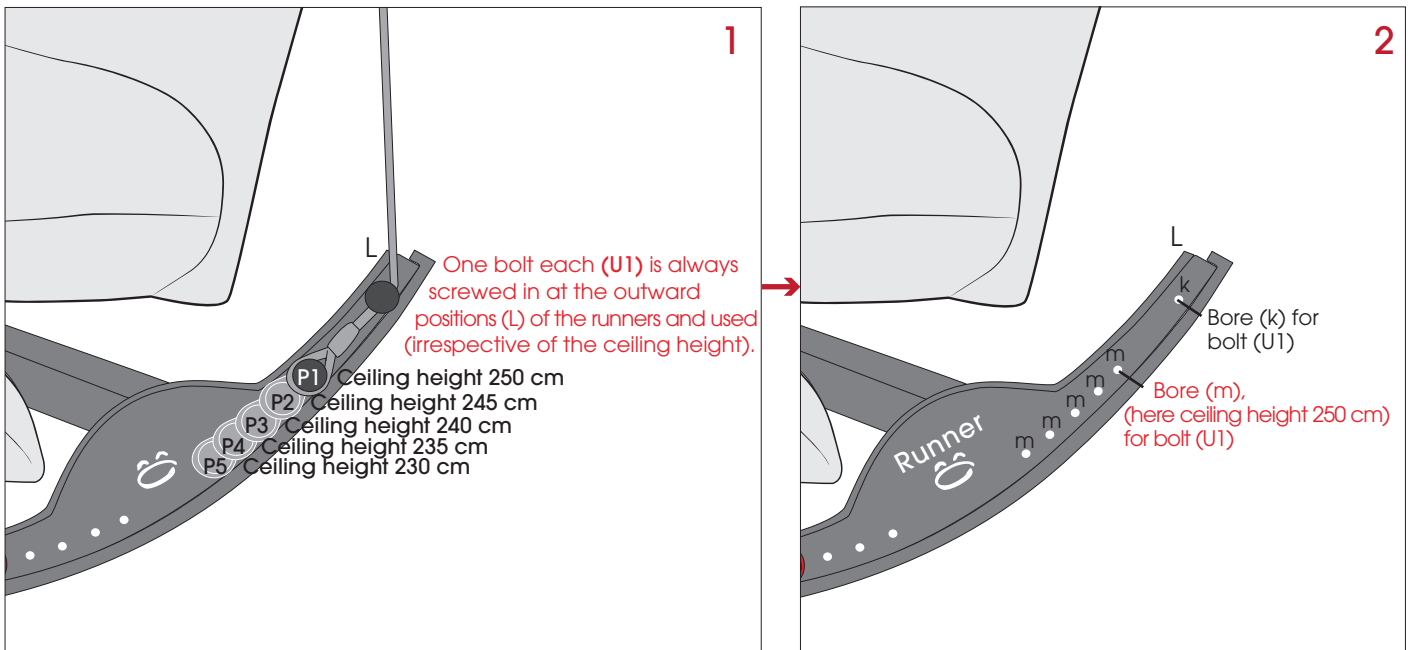
Attention! With CASA rocking frame, the basic position is defined in the middle (i.e. position P3) of the adjustment options. For a detailed description, please see "[Assembly for made-to-measure or rocking frame](#)".

Made-to-measure

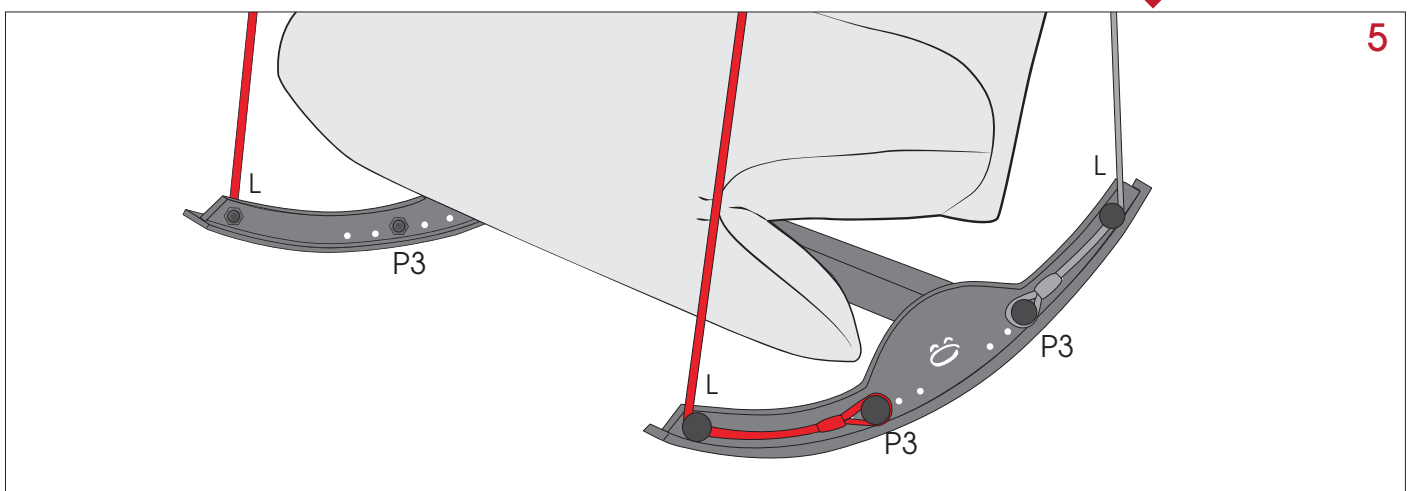
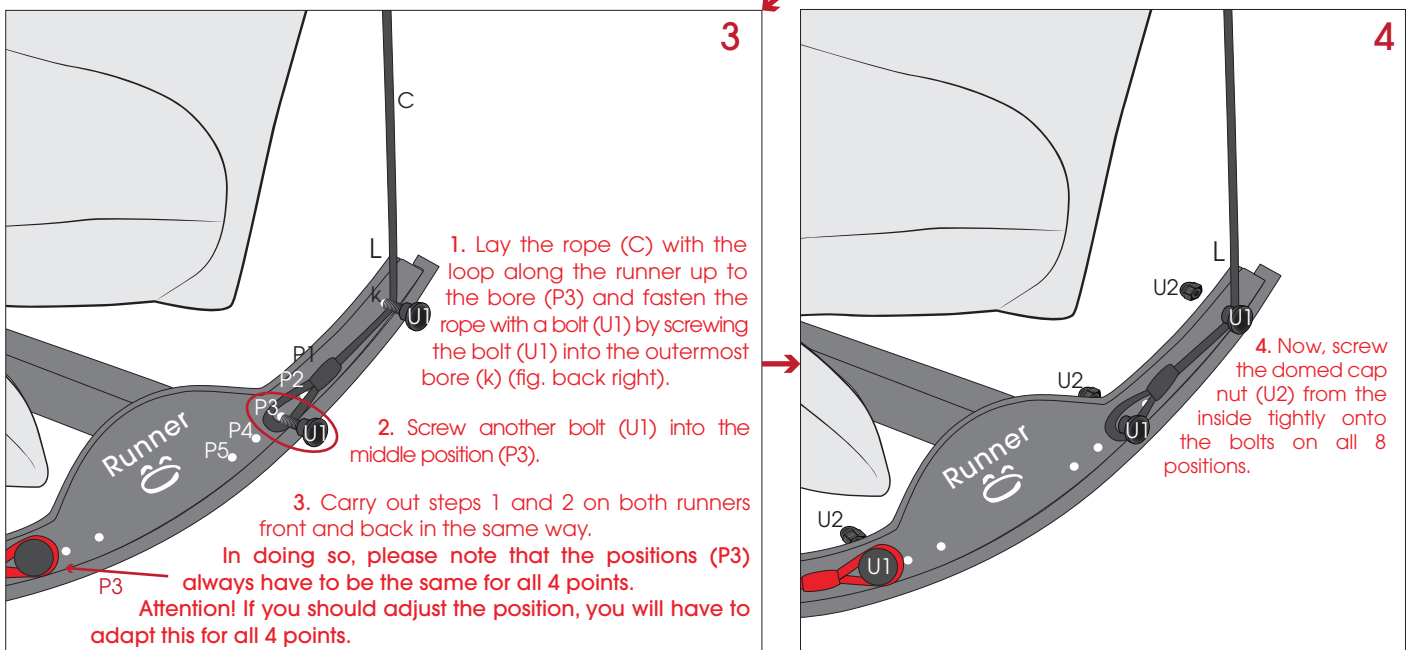
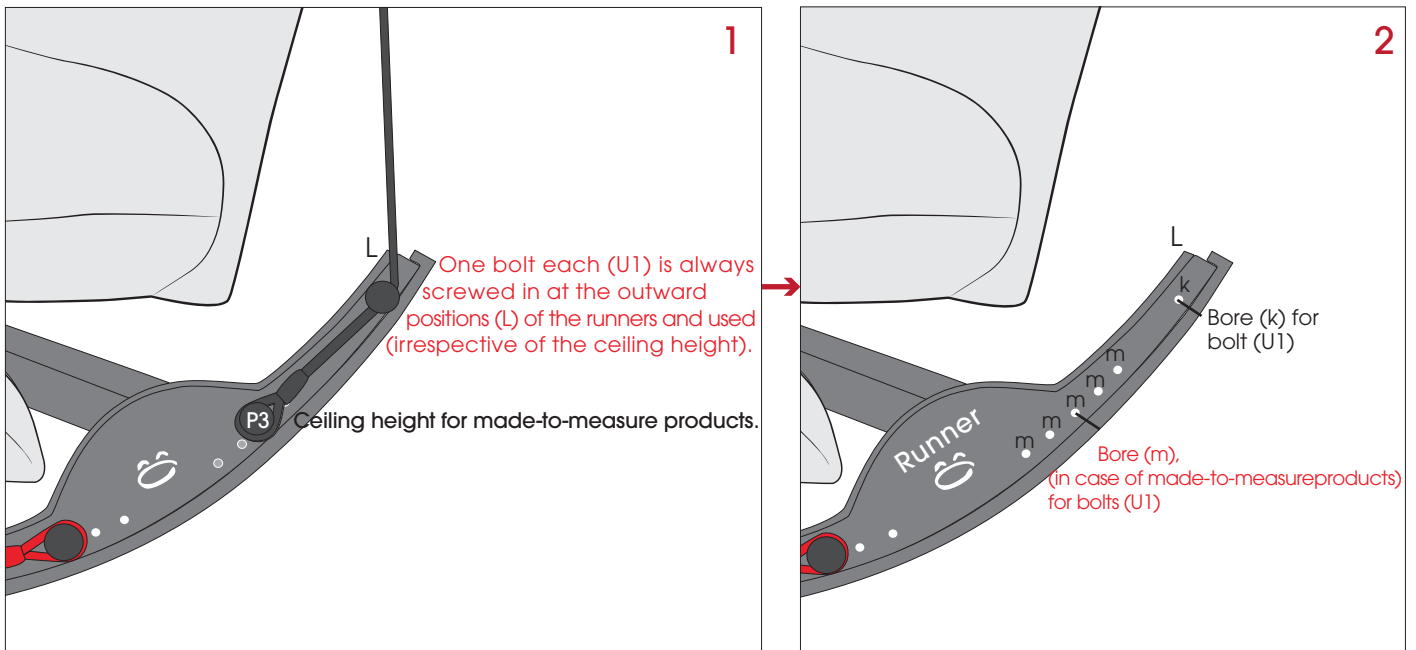
Attention! In case of made-to-measure products, the basic position is defined in the middle (i.e. position P3) of the adjustment options. Thus, you are able to adjust the height each by two steps upward and downward. For a detailed description, please see "[Assembly for made-to-measure or rocking frame](#)".



Rope installation, runners. Using example of ceiling height 250 cm:



Assembly for made-to-measure products or Rocking frame! Rope installation, runners:



Safety Instructions!

Please observe the following safety instructions for your pleasure with ROCKfrog:



1. Please ensure a safety distance of 120 cm around the rope swing. Do not place any objects which may constitute obstacles in this area (around the swing).

2. Make sure that the power supply line is laid without causing hazards and that it may not get below the runner.



3. Before using the rope swing, please check again whether everything is mounted professionally.

4. Attention: the maximum load bearing capacity amounts to 110 kg per seat.



5. While rocking (with or without rope system), it is not allowed for anyone to stay within the swing's range, next or below the rocking chair respectively swinging rocker (risk of injury).



6. Attention! In case of any improper use, the runners may – also in case of the floor-based variant - also lead to injuries during the rocking (trapping risk).



7. Attention! There is a trapping risk around the foot-operated flap when the rocker is lowered.



8. Do not stand on the product or climb up or pull on the rope. The floor-based rocker respectively swinging rocker is not a toy, gymnastics apparatus or climbing frame. Children must not use the product without supervision of an adult. Do not sit on the arm- or backrest

Safety Instructions!

Please observe the following safety instructions for your pleasure with ROCKfrog:



No liability shall be assumed in case of any improper use.

Please check the mounting for signs of wear and tear or damages on a regular basis. In case of worn or damaged parts, please immediately replace the defective parts for your own safety..

No liability shall be assumed for direct and indirect consequential damages caused by modifications of this product, the equipment, the performance and the material usage done by the customer.

Subject to changes and error.

You have observed all of the safety instructions? Then, Bullfrog wishes you a good rocking time!

Maintenance care of the runners:

In order to keep not used threads serviceable, it is required to regrease them with machine lubricant.

Our product ROCKfrog is tested according to the following directive:

Risk assessment according to EN 12520
NORM: EK5/AK3 20-01:2020

Info:

ATTENTION! In order to ensure a safe installation, please follow the individual steps in the instruction manual!

The piece of furniture should always be assembled/installed by two persons!

Dismantling (using the example of a single element):

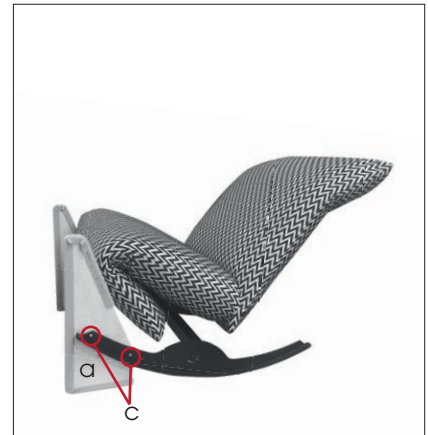
1. Position the elements at the place where they shall stand later.



2. Remove the protective foil.



3. To dismantle the transport lock (a), tilt the element backwards onto the runners. In doing so, please use an appropriate padding in order to avoid damages to the cover or floor.



4. Unscrew the screws (c) from the transport lock (a). Remove the transport lock (a) from the element.



Follow the same procedure for a sofa element.