

ASSEMBLY AND INSTRUCTION MANUAL

MODEL OD1720 MIU

© 2016 KURT BEIER & KATI QUINGER



*For general informations please refer to the information about outdoor furniture!
Bullfrog recommends the suitable waterproofed protective covers for outdoor furnitures.*



Braided back

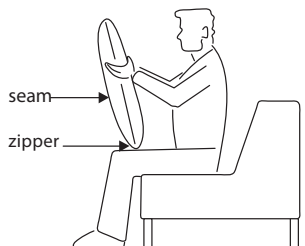


Practical throw cushion for individual comfort



Filigree feet

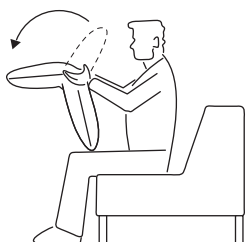
FUNKI - How it works !!!



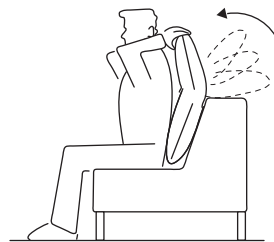
1. Take the cushion at its upper side and put the cushion on your knees with the zipper on the bottom. The seamless side faces you.



2. Move the upper part of the cushion towards yourself until the final position is reached.



3. Now you are able to move the upper part backwards until the upper part of the cushion will click into place in the zero position.



4. Now put the cushion in the preferred position (e.g. in the back, seamless side in front and zipper at the bottom). By pulling the upper part of the cushion towards yourself, you are now able to choose among 16 raster positions, however you like it.

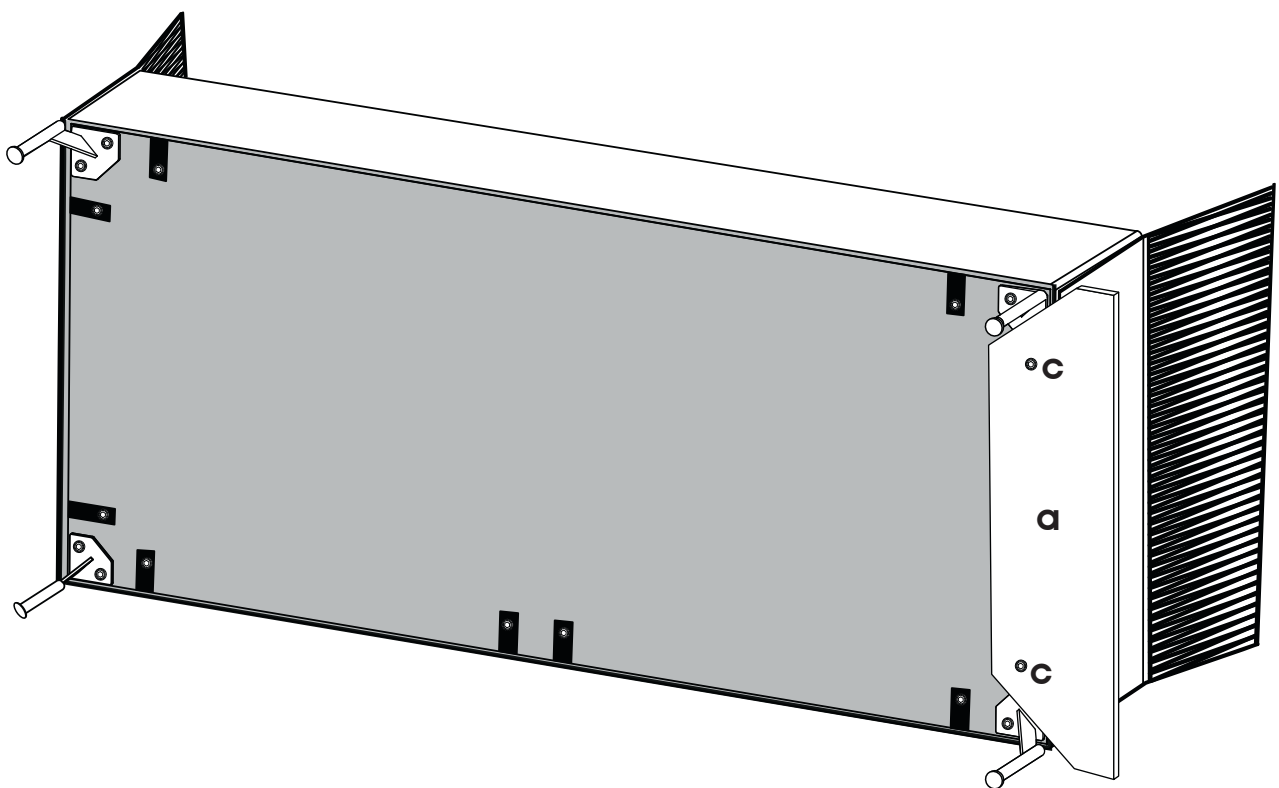
Info:

ATTENTION! To ensure secure assembly, please observe the individual steps of instruction!

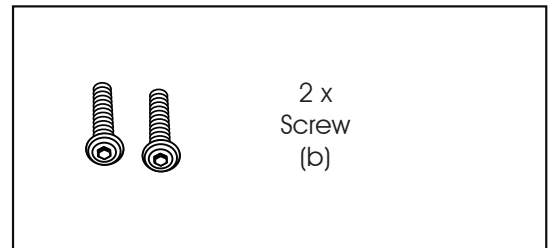
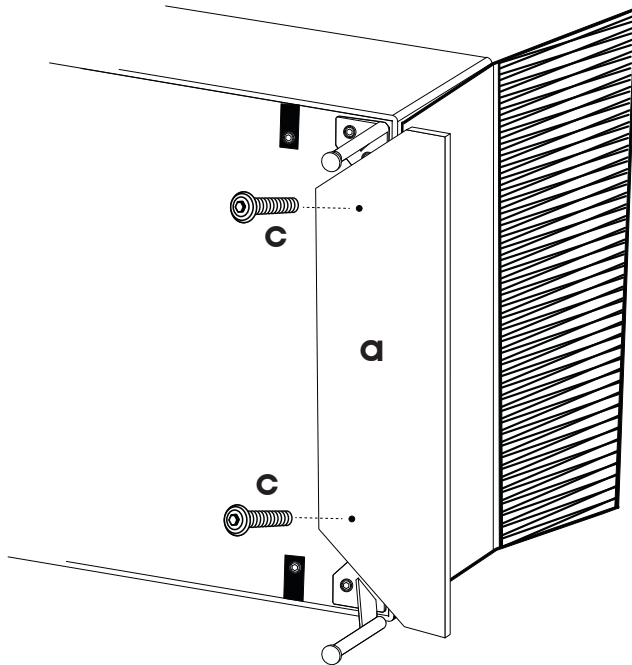
The furniture should always be mounted in pairs (2 persons)!

Assembly:

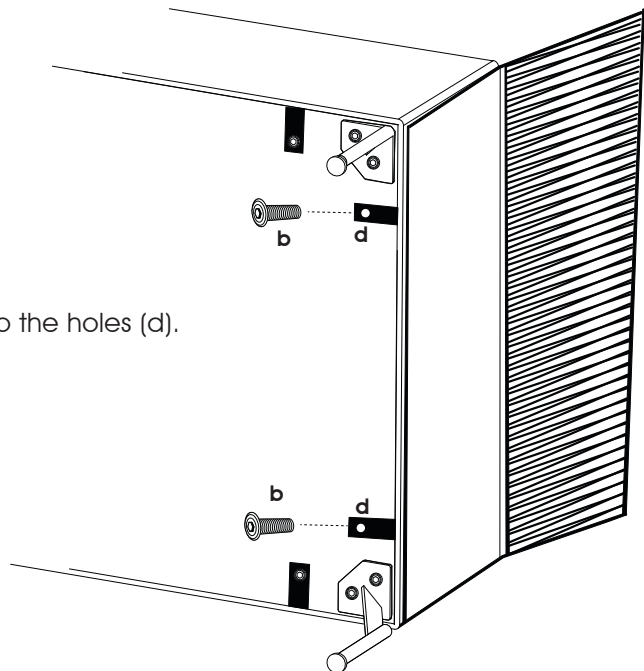
1. Position the elements at the place supposed to stay.
2. To remove the transport lock (a) tilt the element backwards! If necessary, use a suitable underlay to prevent damage to the cover.



3. Unscrew the 2 screws (c) from the transport lock (a). Remove the transport lock (a) from the element. The screws (c) of the transport lock are not used for assembling the element.

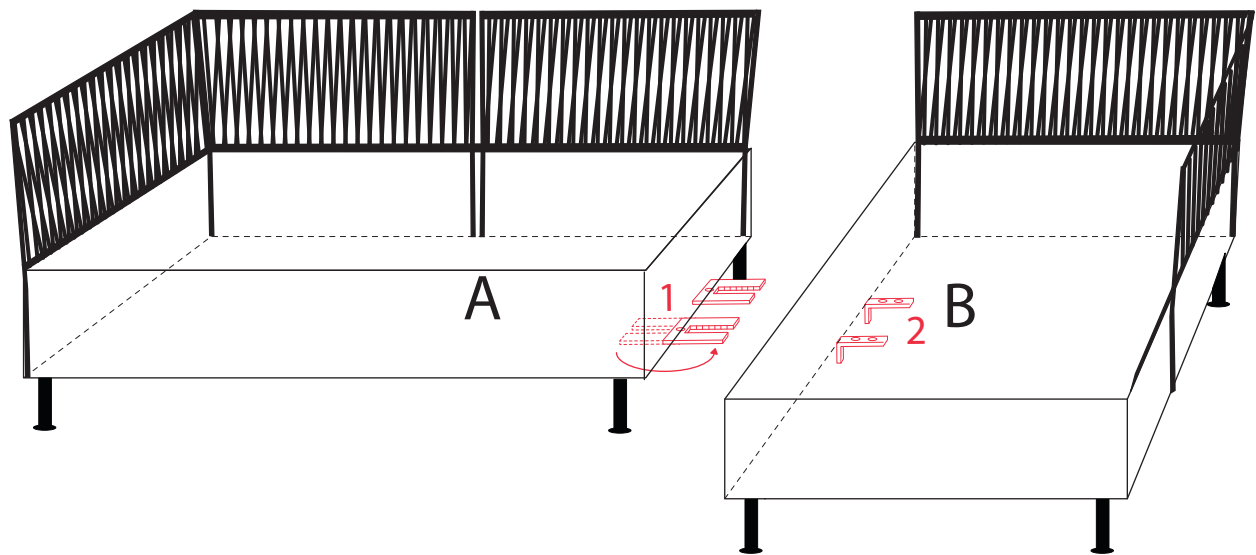


4. Then screw the 2 supplied screws (b) into the holes (d).



5. Lift the fully assembled element onto its feet.

Mounting of connectors



1. Turn connector ratchet 1 of element A to the outside.
2. Firmly push together part A and B, until metal guides 2 catch into guides 1.
3. In case of dismounting lift part B with the metal guides 2 and pull away.