

# ASSEMBLY AND INSTRUCTION MANUAL

## MODEL OD2210 MON AMOUR

© 2022 KURT BEIER & KATI QUINGER



Functional back and functional armrest  
(fig. functional armrest, right)



Relax



Reclining position

## General installation information for ceiling rocking joints:

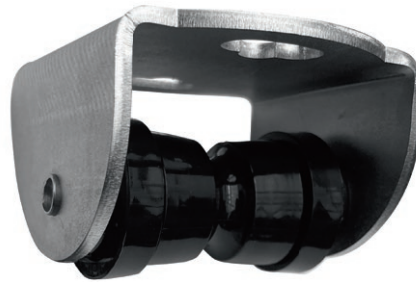
Attention! The standard version requires a ceiling height of 240 cm. Special lengths may be requested (for an extra charge). Please note that the clearance (floor to ceiling) is specified exact to the centimeter (inch-perfect).

For made-to-measure products, the basic position is set in the middle of the adjustment options. Thus, you have the possibility of adjusting the height upwards or downwards by 1 steps each. For a detailed description, see "*Assembly for made-to-measure products*".

## Packaging unit (concrete/ aerated concrete or wood):



2 x carbiners (A)



2 x rocking joints (B)



4 x ropes (C)

### Concrete / aerated concrete

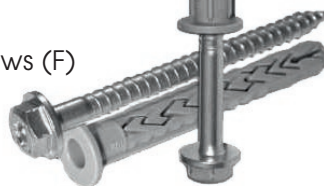
1 x bit (H)  
TX40



4 x dowels (E)



4 x screws (F)



### Wood beam installation

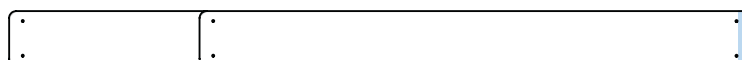
4 x screws (G)



1 x bit (H)  
TX40



1 x mounting/installation template, ceiling installation (fig. folded) for the rocking joint:

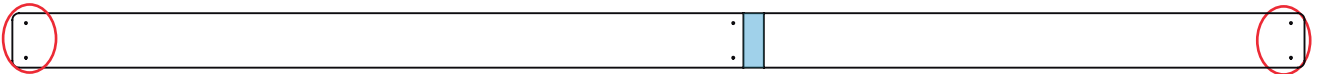


## Info:

**ATTENTION!** In order to ensure a safe installation, please follow the individual steps in the instruction manual!  
*The piece of furniture should be assembled/installed by two persons of a specialist company/specialist staff!*

## Template for fastening points on the ceiling:

OD2210 MON AMOUR: Use (with unfolded template) the outer markings (186 cm).



## Preparations, ceiling mounting:



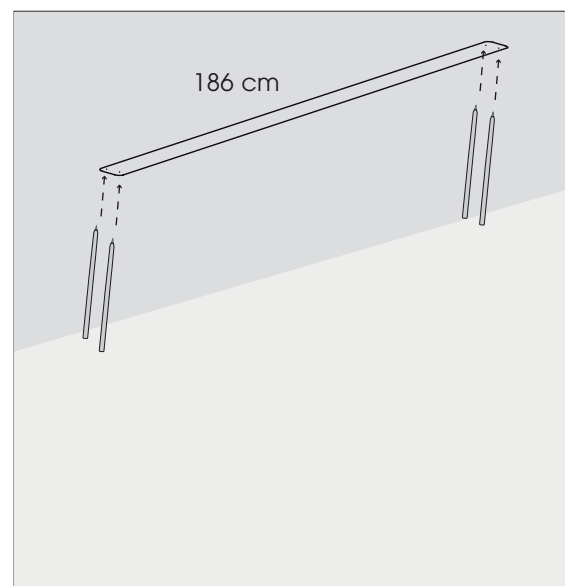
Attention! The ceiling mount has to carry the weight of the swing as well as the weight of the occupant. Make absolutely sure that the ceiling respectively the beam is solid and that it is possible to safely install the ceiling mount. Every ceiling type is different. Have this imperatively checked by a specialist. No liability for personal injury or damage to property shall be assumed in case of any improper installation.

Please note that a safety distance of 120 cm has to be observed all around the rope swing. No objects which may constitute obstacles should be placed around the swing. The safety distance to the front and back depends on the respective rocking behavior. However, up to a ceiling height of 250 cm, we recommend to observe a minimum distance of 120 cm to the front and back. With increasing ceiling height, the safety distance to the front and back will also increase.

In order to enable correct rocking, it is required to apply the rocking joints parallel to each other.  
 Internal spacing (center rocking joint to center rocking joint): 186 cm

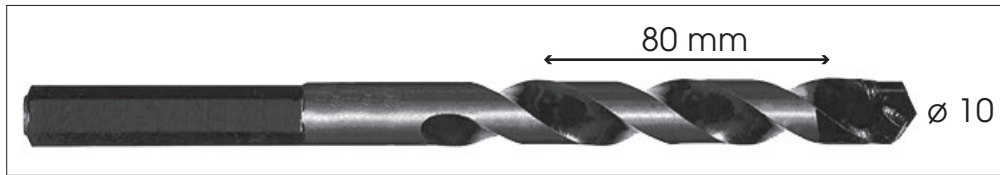


The rocking joints have to be aligned parallel to each other.

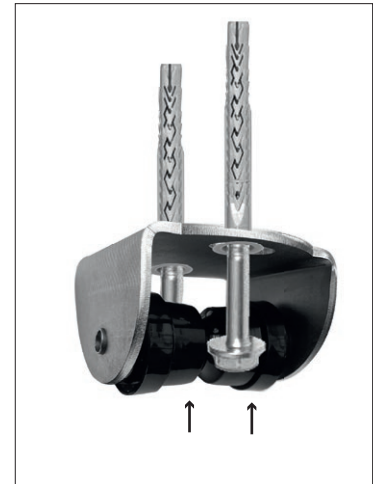


Mark the drilling and/or screwing points on the ceiling by means of the provided template.

Ceiling mounting, rocking joint for concrete/aerated concrete:



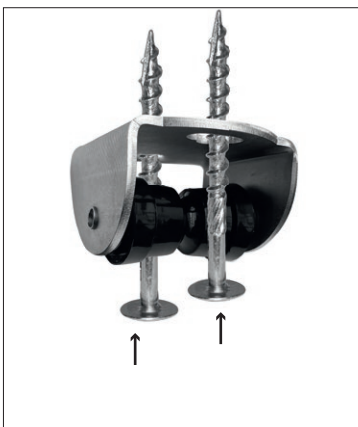
1. Drill an 80 mm deep bore hole into the ceiling at the points marked before using a 10 concrete drill.



2. Insert 2 dowels each through the fastening bores of the rocking joint flush into the ceiling borehole.

3. Screw them tight with the enclosed screws.

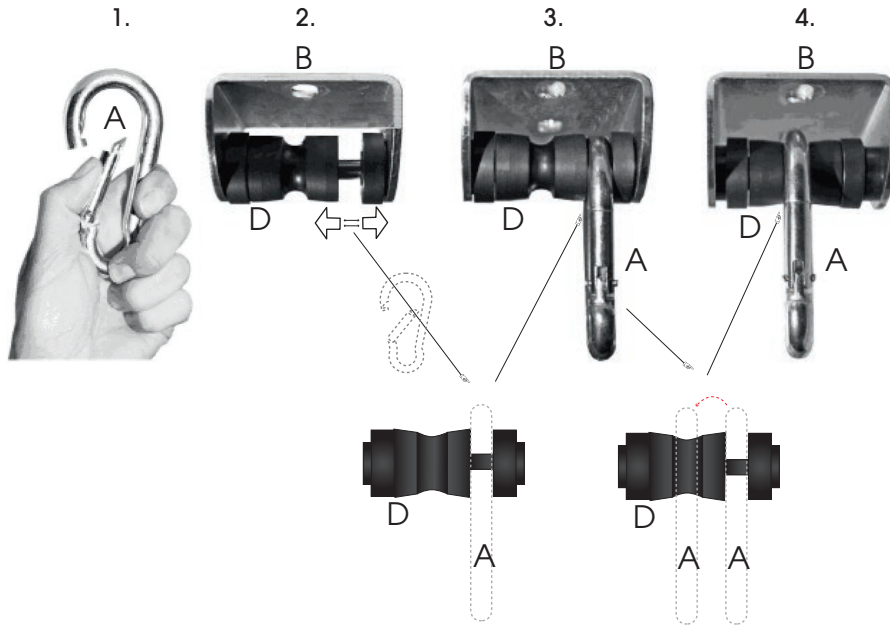
Installation on a wooden beam:



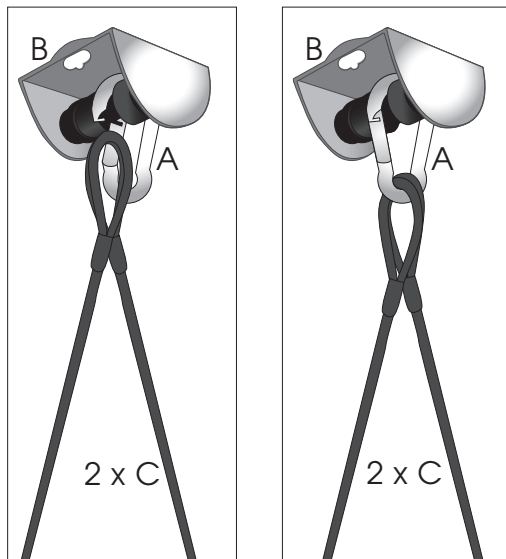
1. Insert 2 dowels each through the fastening bores of the rocking joint and tighten the rocking joint on the ceiling markings.

## Carbines & ropes:

1. Push the roller segment (D) right or left apart and hook in the carbiner (A).
2. Lift the carbiner (A) into the middle of the roller segment (D).
3. Repeat step 1 and 2 on the second rocking joint.



4. Per side, hook 2 ropes (C) in the carbiner (A).



*After that, the ropes are fastened to the frame of the element.*

*Please also see "Rope installation".*

## Rope installation, frame:

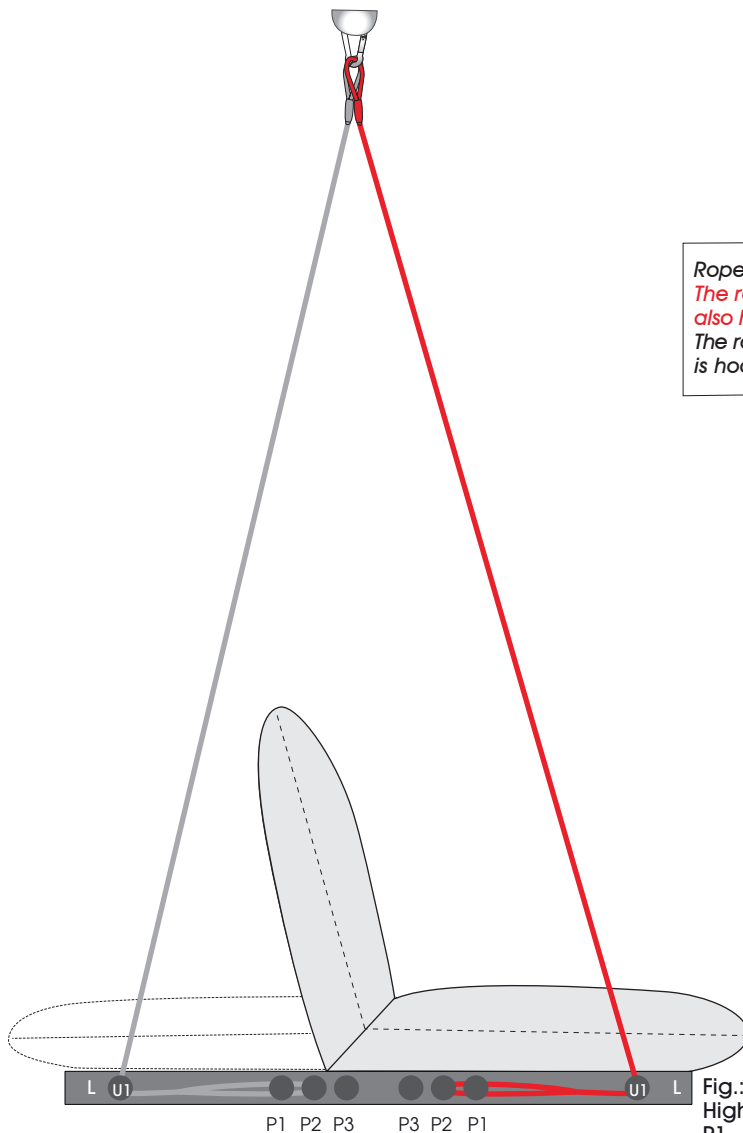
Attention! All 4 ropes have to be fastened in the same position at the front and the back.

The loop must always be fastened at position P1, P2, or P3; *at position (L), the rope is wrapped around a bolt (U1).*

**Standard ceiling height and height of Mon Amour: 233 cm - 243 cm**

### Made-to-measure:

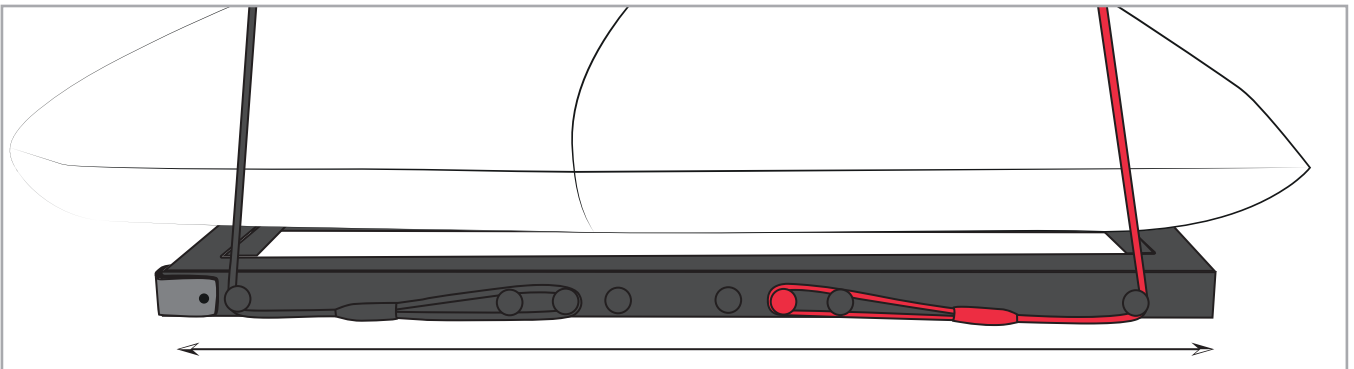
Attention! In case of *made-to-measure* products, the basic position is defined in the middle (i.e. position P2) of the adjustment options. Thus, you are able to adjust the height each by 1 step upward and downward.



**Rope position:**  
*The rope lying up front in the carbine is also hooked in at the front of the frame.  
 The rope lying in the back in the carbine is hooked in at the back of the frame.*

Fig.: basic setting (P2).  
 Height adjustments in 5 cm steps by repositioning the ropes.  
 P1 = lowest setting  
 P3 = highest setting  
 The adjustments have to be identical front/back and left/right.

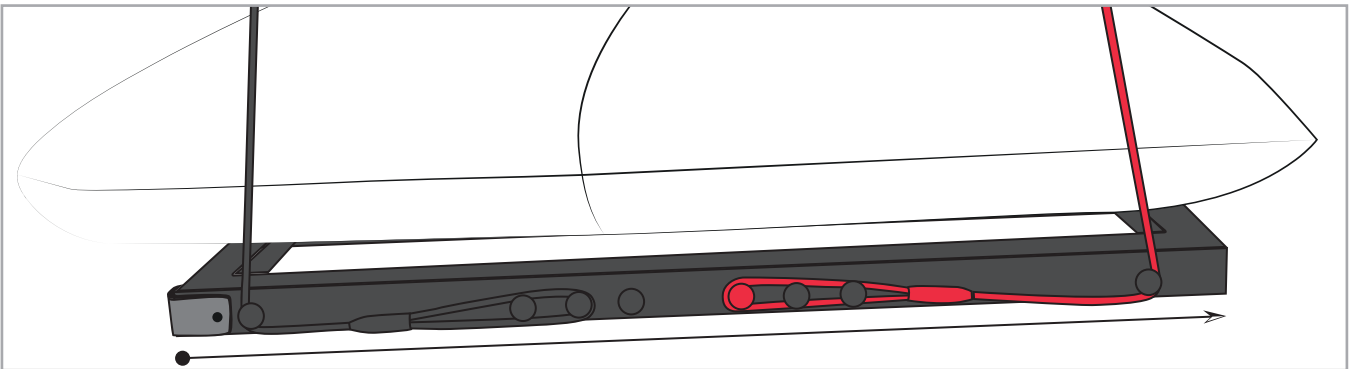




Basic setting (horizontally)

### Individual seat setting, seat slope:

The seat slope can be adjusted by just a few steps via the rope position at the frame.



Adjustment, seat slope (higher at front)

By adjusting the front rope suspension, the seat slope can be adjusted and thus changes sitting position individually. This increases the swing comfort.



The slope should be adjusted in the following situations:



1. If one person is lying on one side of the lounger and thus the weight is unevenly distributed.
2. If two persons are lying on the lounger and therefore the weight is unevenly distributed.

## Safety Instructions!

Please observe the following safety instructions for your pleasure with Mon Amour:



1. Please ensure a safety distance of 120 cm around the rope swing. Do not place any objects which may constitute obstacles in this area (around the swing).



2. Before using the rope swing, please check again whether everything is mounted professionally.

3. Attention: the maximum load bearing capacity amounts to 200 kg.



4. While rocking, it is not allowed for anyone to stay within the swing's range, next or below the rocking sofa (risk of injury).



5. Do not stand on the product or climb up or pull on the rope. The rocking sofa is not a toy, gymnastics apparatus or climbing frame. Children must not use the product without supervision of an adult.

Do not sit on the arm- or backrest

*No liability shall be assumed in case of any improper use.*



Please check the mounting for signs of wear and tear or damages on a regular basis. In case of worn or damaged parts, please immediately replace the defective parts for your own safety.

No liability shall be assumed for direct and indirect consequential damages caused by modifications of this product, the equipment, the performance and the material usage done by the customer.

Subject to changes and error.

*You have observed all of the safety instructions? Then, Bullfrog wishes you a good rocking time!*